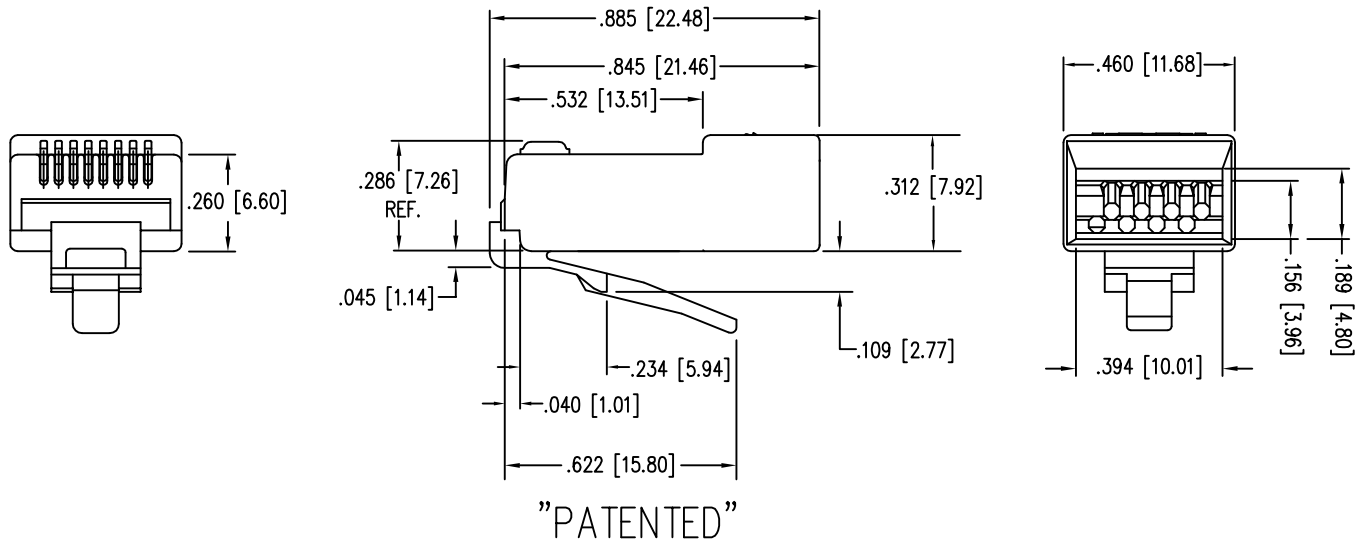
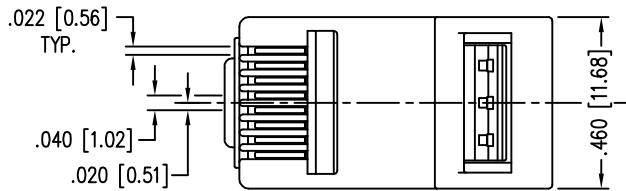
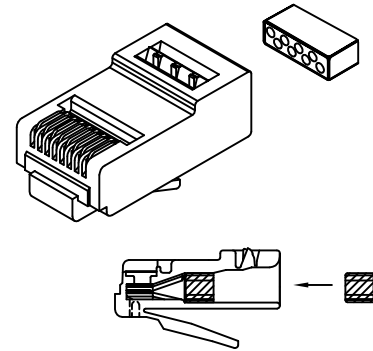


# CablesPlus

U ★ S ★ A

PART NO.: 111-08080028L34

- \* EIGHT CONDUCTOR MODULAR PLUG
- \* FOR HIGH SPEED APPLICATION
- \* FOR CONDUCTORS WITH AN O.D. RANGE OF .037/.042
- \* USES .012 CONTACT
- \* PRODUCT REQUIRES CONDUCTIVE LOAD BAR



**SPECIFICATIONS :**

**PERFORMANCE:** MEETS OR EXCEEDS CATEGORY 6 ANSI/EIA 568-C.2  
PERFORMANCE TUNED TO CABLES MEETING CATEGORY 6 SPECIFICATIONS.

**CONTACT MATERIAL:** PHOSPHOR BRONZE - .012 THK  
**CONTACT PLATING:** 50 MICRO-INCH : OTHER PLATING OPTIONS AVAILABLE  
SELECTIVE 24 CARAT HARD GOLD PLATE IN CONTACT AREA  
OVER 100 MICRO-INCH MINIMUM NICKEL PLATE  
PER CURRENT SELECTIVE GOLD PLATING REQUIREMENTS.

**PLUG MATERIAL:** POLYCARBONATE

**PLUG TOLERANCES AND DIMENSIONS:** \* COMPLIES WITH ANSI/TIA-1096-A REQUIREMENTS

**U.L. RECOGNIZED:** File# E188111  
**FLAME AUTO EXTINGUISH:** 94-V0

**OPERATION TEMPERATURE:** -40°C TO +85°C

**INSERTION/EXTRACTION LIFE:** 1000 CYCLES

**CONTACT RESISTANCE:** 10 MILLOHMS MAX.

**CURRENT/VOLTAGE:** 30 VAC/42 VDC AT 1.5 AMPS

**(RoHS COMPLIANT)** \* FORMER COMPLIANCE, FCC PART 68.500

