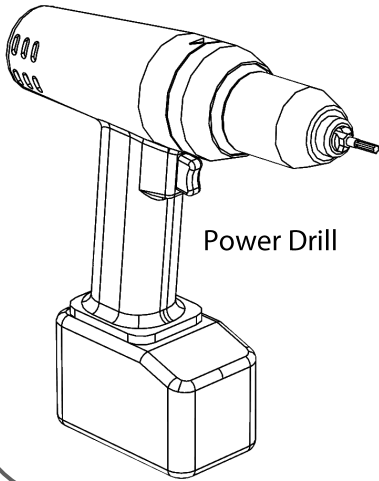
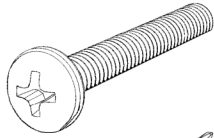


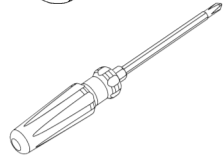
Tools/Hardware Needed:



Power Drill



Screws

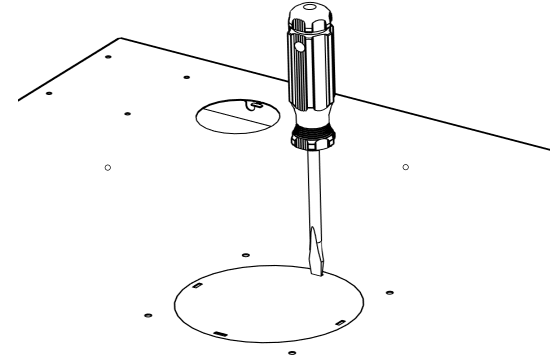


Screw Driver



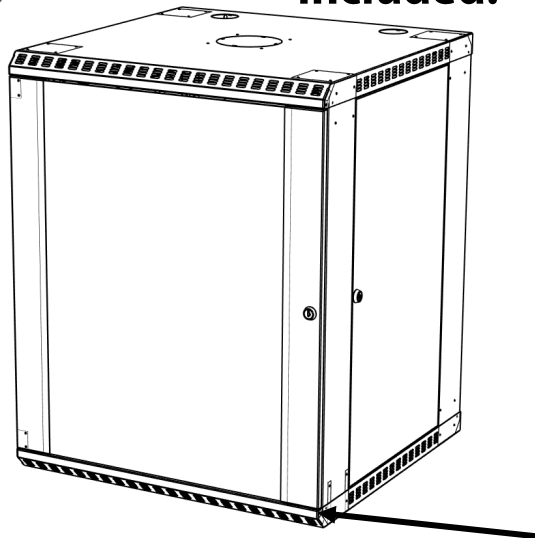
Wall Anchors

Removing Knock-outs



- Insert a flat head screw driver into the small opening at the edge of the knock-out.
- Pry upwards and twist until insert breaks free.

Included:

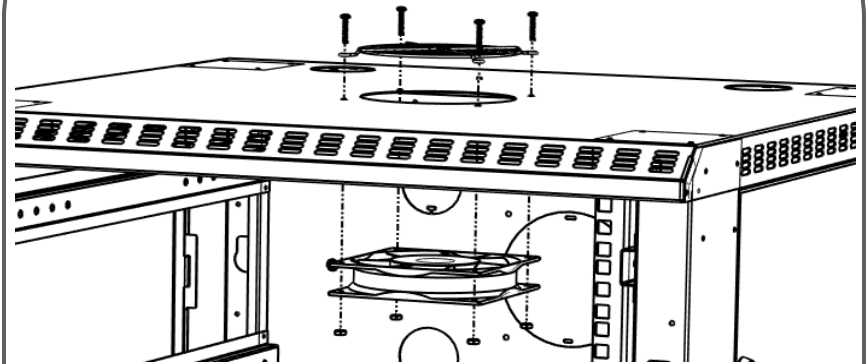


(1) 18U Swing-out
Wallmount Cabinet

**Plastic bushing can be removed from the bottom pan of keyed side. This is inserted to help support the door during shipping, but is not needed once the cabinet is installed.

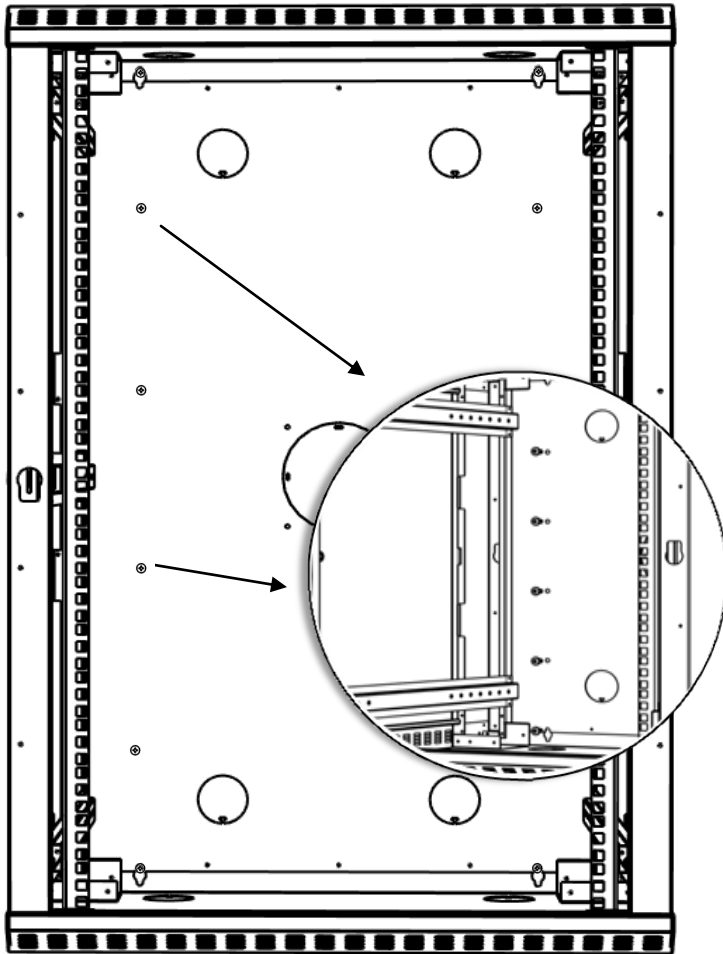
Mounting hardware is

Installing Optional Fan Kit



- Place the fan on the underside of the top panel, and the fan guard on the top.
- Line up holes.
- Insert screws through the fan guard, top panel, and fan, and secure nuts.

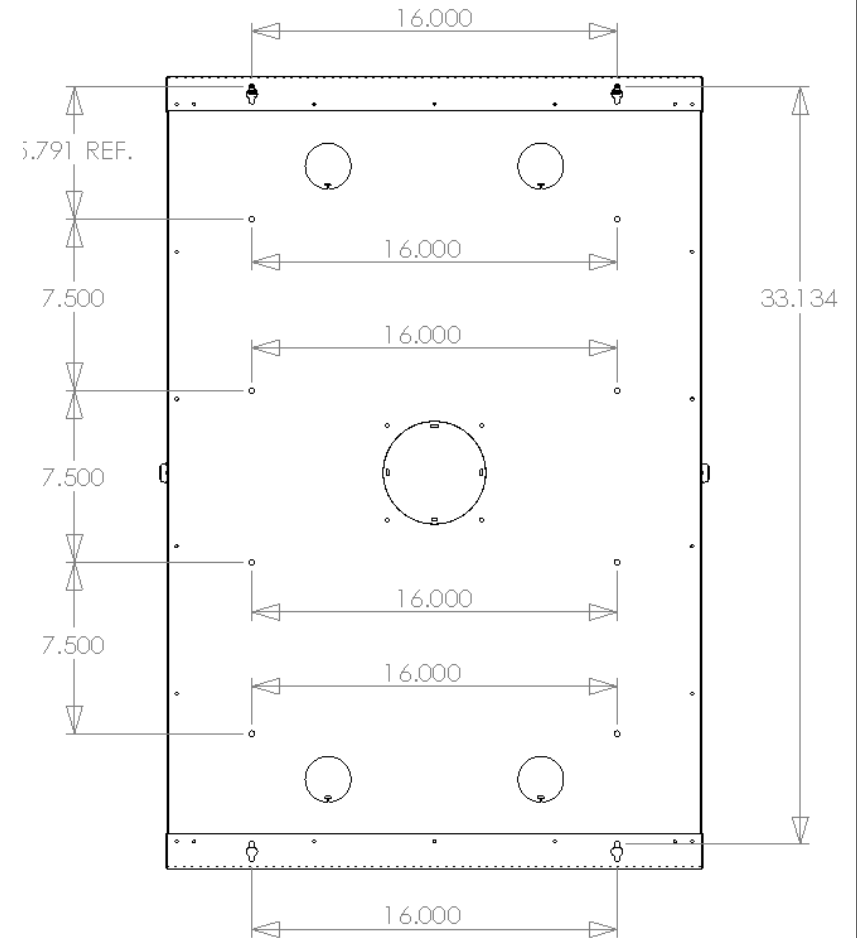
Assembly - Step 4:



- a. Finish installing the enclosure by securing screws along the 16" wide mounting pattern.

6

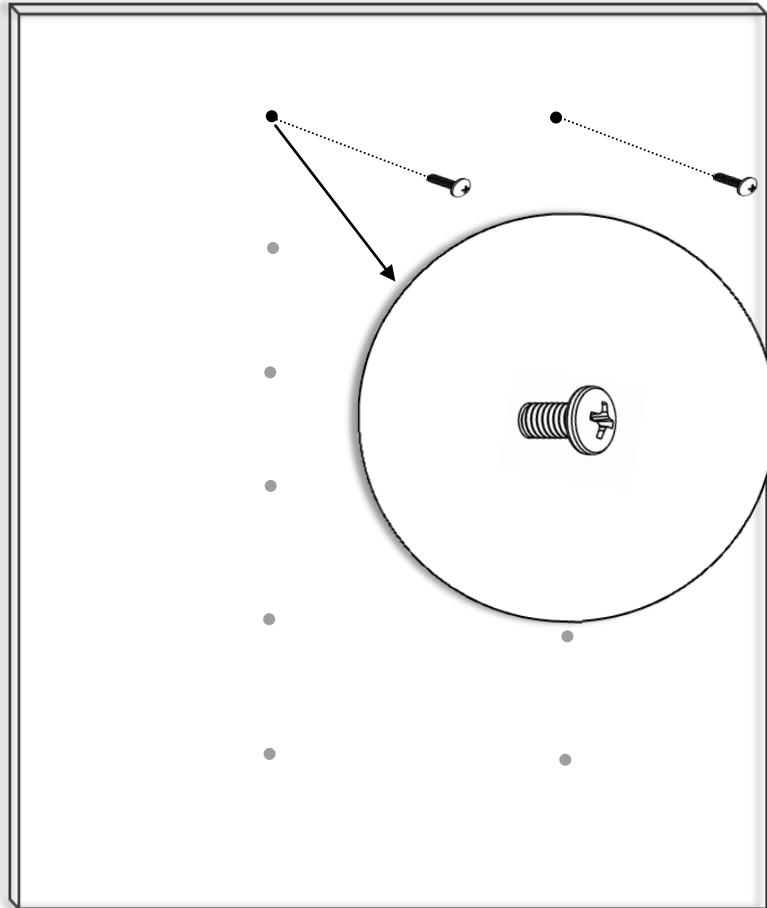
Assembly - Step 1:



- a. Using the dimensional drawing above, mark the desired placement of the mounting holes on the wall.

3

Assembly - Step 2:

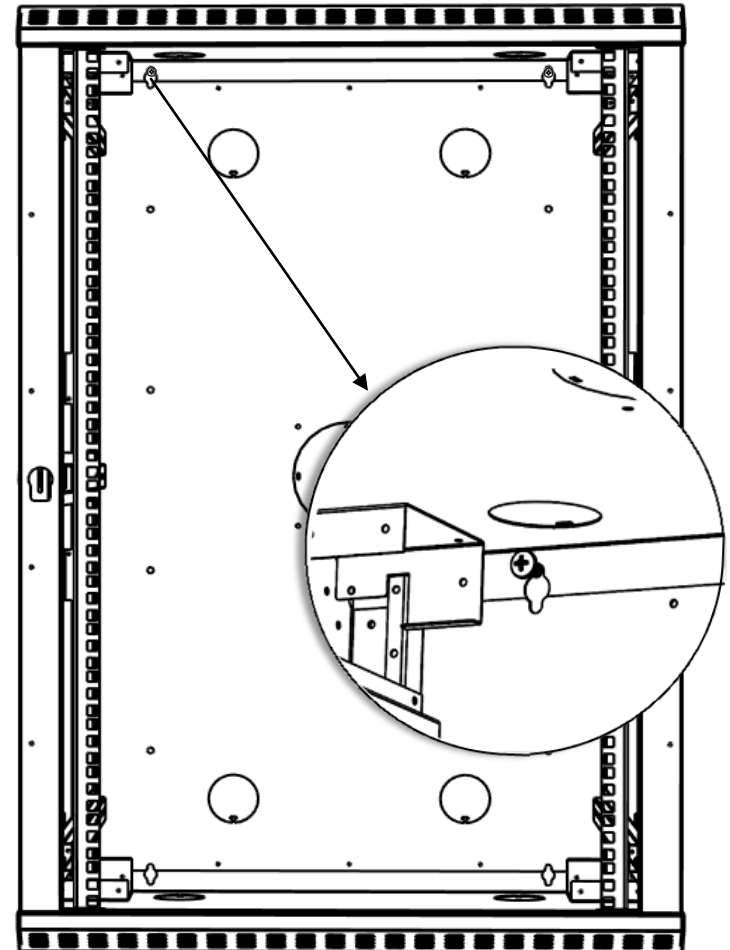


- a. Install screws into the top two markings on the wall.
- b. Do not screw them all the way.

*Mounting pattern is set at the standard 16" width pattern for easy installation into wall studs. If the screws are not going to be secured into the studs, install wall anchors first.

4

Assembly - Step 3:



- a. Hang the cabinet by the top two keyholes onto the screws installed in the wall.
- b. Screw in the two screws all the way into the wall.

5