

- NOTES:
 1. MATERIAL COMPLIANT TO RoHS, REACH SVHC AND UL 94 V-0
 2. INTERFACE DIMENSIONS COMPLIANT TO IEC 61754-20 (TYPE LC CONNECTOR FAMILY)

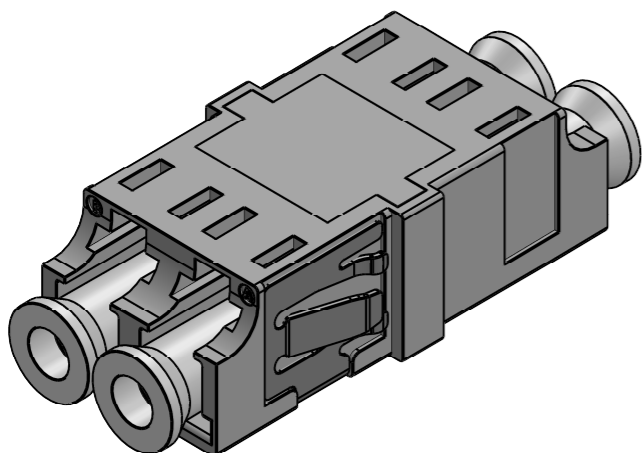
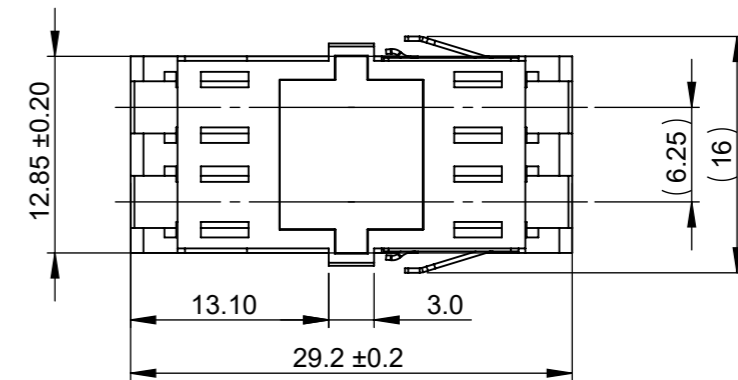
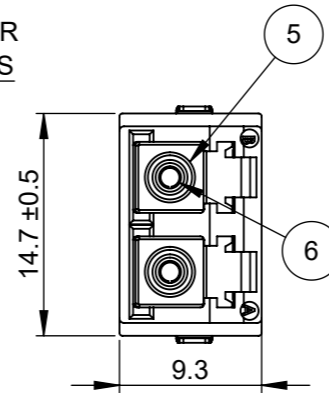
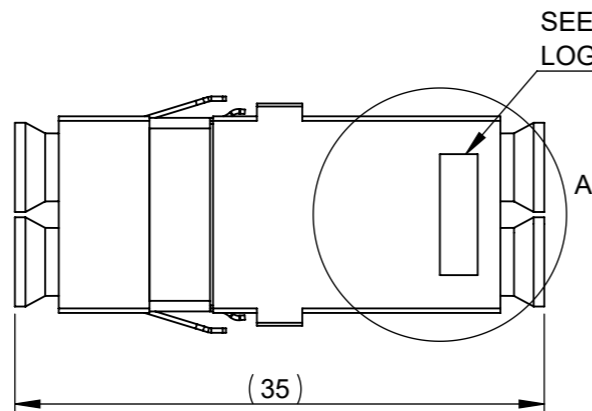
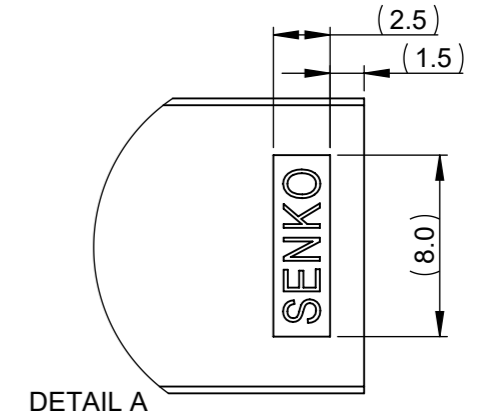
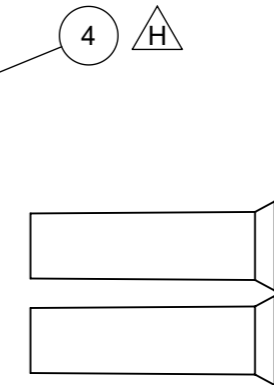
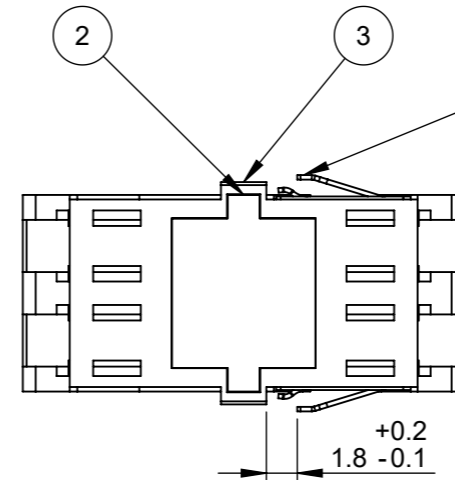
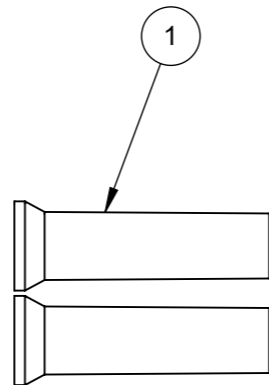
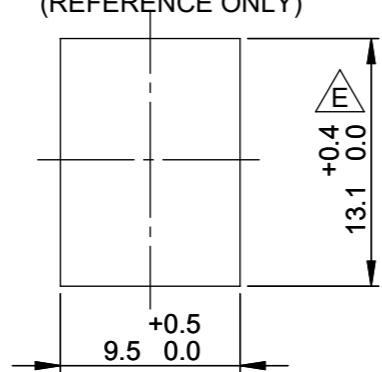
REVISIONS			
REV.	DESCRIPTION	DATE	APPROVED
A-F	PLEASE REFER TO EXACT REVISION DRAWING	1/18/2017	S. LEUNG
G	PCN180409001: HOUSING DESIGN CHANGED	6/22/2018	S. LEUNG
H	PCN210304001: RATTLE FREE MOUNT CLIP CHANGED	11/12/2021	KEITH CHUNG

ALIGNMENT SLEEVE TABLE	
SENKO P/N	MATERIAL
988-4SX1-N	ZIRCONIA

COLOR TABLE	
SENKO P/N	COLOR
988-4S11-N	BLUE
988-4S21-N	BLACK
988-4S31-N	GREEN
988-4S41-N	RED
988-4S51-N	LIME GREEN
988-4S71-N	HEATHER VIOLET
988-4S81-N	BEIGE
988-4S91-N	AQUA
988-4SC1-N	YELLOW
988-4SE1-N	ORANGE

LOGO TABLE	
SENKO P/N	OPTION
988-4SX1-N	NO LOGO
988-4SX1-NL	SENKO LOGO

MOUNTING HOLE DIMENSIONS
 PANEL THICKNESS 1.7mm MAX.
 (REFERENCE ONLY)



CONFIDENTIAL

Category

C

Information on this document is proprietary and may not be used, copied, reproduced, or disclosed without the written consent of SENKO Advanced Components, Inc.

UNLESS OTHERWISE SPECIFIED:
 DEBURRS ALL SHARP EDGES.
 DIMENSIONS ARE AFTER FINISH

TOLERANCES: .X = ±0.1
 .XX = ±0.05
 .XXX = ±
 ∠ = ±

ITEM NO.	DESCRIPTION	QTY.
1	LC ADAPTER DUST CAP, TPE	4
2	LC ONE PIECE DUPLEX ADAPTER HOUSING COVER, PBT	1
3	LC ONE PIECE DUPLEX ADAPTER HOUSING NO FLANGE, PBT	1
4	SC SIMPLEX FOOTPRINT (LC DUPLEX) ADAPTER RATTLE FREE MOUNT CLIP, SUS $\triangle H$	1
5	LC ALIGNMENT SLEEVE HOLDER, PEI	2
6	ALIGNMENT SLEEVE, ZIRCONIA	2

Drawn By ENG. DEPT.	Checked By GNIADK	Approved by	All Dimensions in mm Material: SEE ABOVE	Date 11/05/2010	Scale Free
			Name: 988-4SXX-N		
			LC ONE PIECE DUPLEX ADAPTER, SR-SR, SC-FOOTPRINT, NO FLANGE, NO SHUTTER		
Dwg.No: C-EN10-310			Rev. H	Sheet 1	