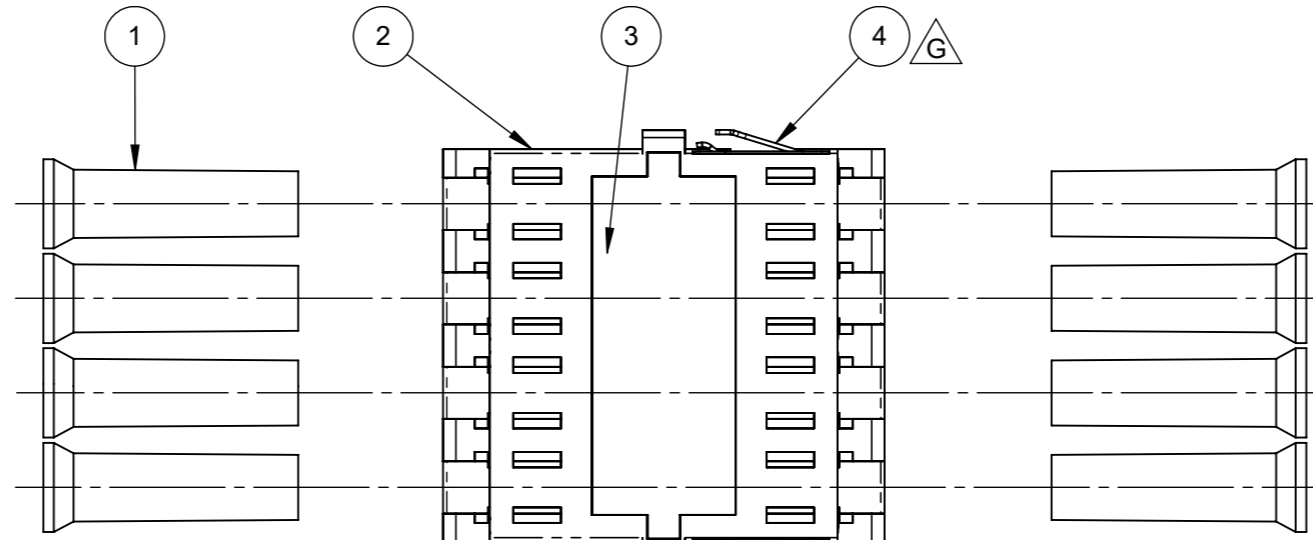


- NOTES:
 1. MATERIALS COMPLIANT TO RoHS, REACH SVHC AND UL 94 V-0
 2. INTERFACE DIMENSIONS COMPLIANT TO IEC 61754-20 (TYPE LC CONNECTOR FAMILY)
 3. TRADITIONAL MOUNT PLATE WILL BE AVAILABLE UPON REQUEST.

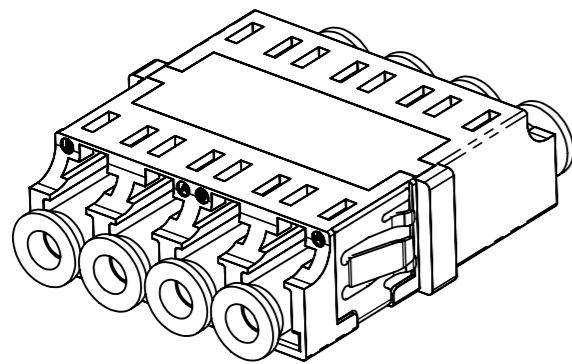
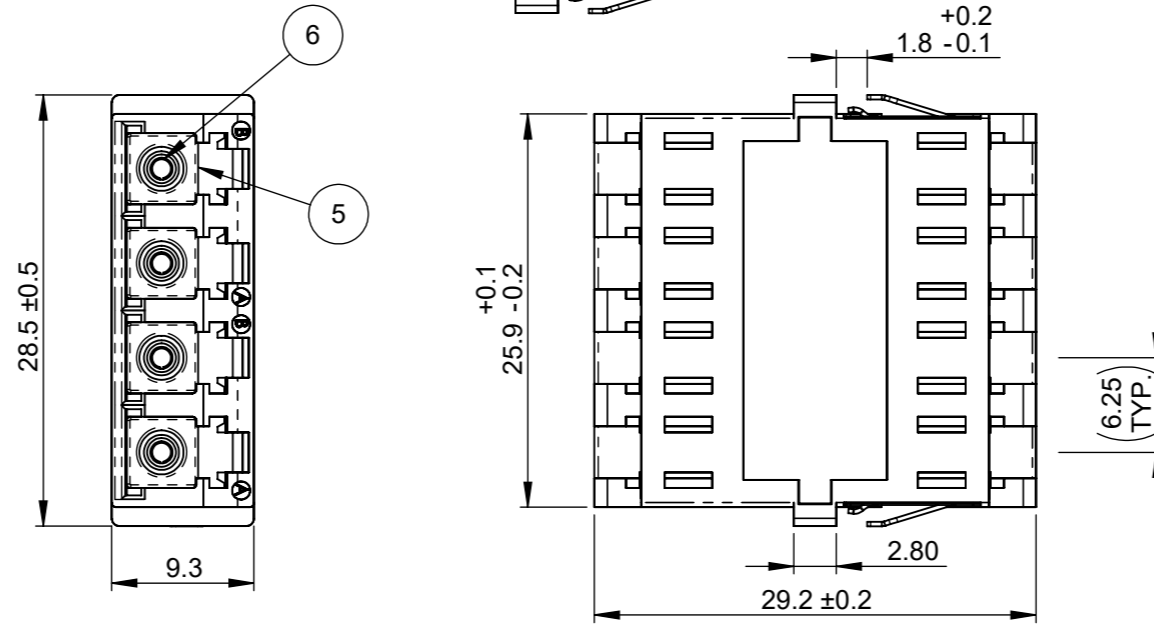
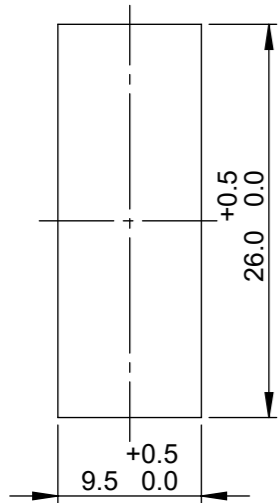
REVISIONS				
ZONE	REV.	DESCRIPTION	DATE	APPROVED
	A-D	PLEASE REFER TO EXACT REVISION DWG	3/27/2012	KENJI IIZUMI
	E	HKDCN-0005-15: CHANGED NEW RATTLE FREE MOUNT PLATE (8/15/2019 REISSUE: ADD VIEW FOR TRADITIONAL MOUNT PLATE)	7/2/2015	NEAL HO CHIU HO
	F	PCN170915001: ALIGNMENT SLEEVE TABLE UPDATED PCN180409001: HOUSING DESIGN CHANGED COLOR OPTION ADDED; NOTE 3 ADDED (8/15/2019 REISSUE: VIEW FOR TRADITIONAL MOUNT PATE ADDED)	10/31/2018	S. LEUNG CHIU HO
	G	MOUNT PLATE CHANGED	2/23/2021	KEITH CHUNG

ALIGNMENT SLEEVE TABLE	
SENKO P/N	MATERIAL
988-6SX1-N	ZR

COLOR TABLE	
SENKO P/N	COLOR
988-6S11-N	BLUE
988-6S21-N	BLACK
988-6S31-N	GREEN
988-6S41-N	RED
988-6S51-N	LIME GREEN
988-6S71-N	HEATHER VIOLET
988-6S81-N	BEIGE
988-6S91-N	AQUA
988-6SC1-N	YELLOW
988-6SE1-N	ORANGE



MOUNT HOLE DIMENSIONS
 PANEL THICKNESS 1.7mm MAX.
 (REFERENCE ONLY)



CONFIDENTIAL

Category **C**

Information on this document is proprietary and may not be used, copied, reproduced, or disclosed without the written consent of SENKO Advanced Components, Inc.

UNLESS OTHERWISE SPECIFIED:
 DEBURRS ALL SHARP EDGES.
 DIMENSIONS ARE AFTER FINISH

TOLERANCES: .X = ±0.1
 .XX = ±0.05
 .XXX = ±
 ∠ = ±

ITEM NO.	DESCRIPTION	QTY.
1	LC ADAPTER DUST CAP, TPE (SEE DWG# EN10-260)	8
2	LC ONE PIECE ADAPTER QUAD HOUSING WITHOUT FLANGE, PBT	1
3	LC ONE PIECE QUAD ADAPTER COVER, PBT	1
4	SC DUPLEX FOOTPRINT ADAPTER NEW RATTLE FREE METAL MOUNT PLATE, SUS E G	1
5	LC ALIGNMENT SLEEVE HOLDER, PEI	4
6	ALIGNMENT SLEEVE, ZIRCONIA	4

Drawn By ENG. DEPT.	Checked By GNIADK	Approved by	All Dimensions in mm Material: SEE ABOVE	Date 10/18/2010	Scale Free
SENKO Advanced Components		Name: 988-6SXX-N LC ONE PIECE QUAD SR-SR ADAPTER WITHOUT FLANGE, NO SHUTTER			
		Dwg.No: C-EN10-314		Rev. F Sheet 1	