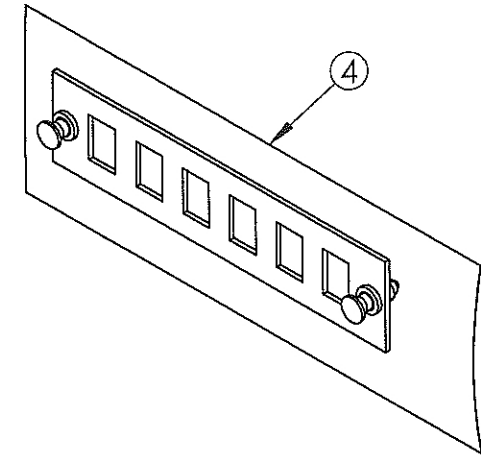
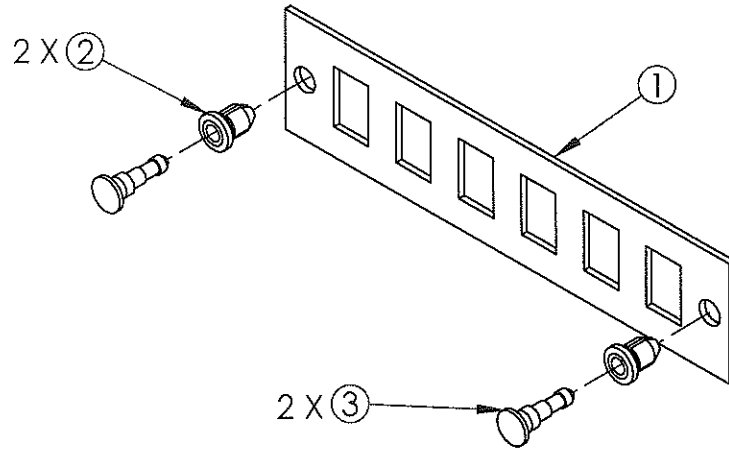


AP-6P-MTP

ITEM NO.	QTY.	PART NO.	DESCRIPTION
1	1	592-990-P1	MTP-06-BK, MULTIPLATE, BLACK
2	2	99933	LATCH, BLACK, FEMALE END GROMMET
3	2	99934	LATCH, BLACK, MALE END PLUNGER
4	1	44759	#287-1 POLY BAG, 2.5 X 7 LIGHT, ON A ROLL

REV	ECN#	DESCRIPTION OF CHANGE	DATE	BY	MFG ENG
01	N/A	INITIAL RELEASE	03/12/10	TT	



NOTE:

1. INSERT ITEMS #2 AND #3 INTO ITEM #1-2 PLACES.
2. INSERT ITEM #1 INTO ITEM #4 AND SEAL SHUT.
3. PLEASE MAKE SURE THAT **THERE IS NO MULTILINK LABELING ON THE PART OR PACKAGING.**

CONTROLLED



LightWave Manufacturing & Services LLC
 2111-B Spencer Road | Richmond, VA 23230 | (804) 672-8426
 www.lightwavecable.com

UNLESS OTHERWISE SPECIFIED DIMENSIONS ARE IN INCHES TOLERANCES ARE: FRACTIONS DECIMALS ANGLES ±1/32 .XX=±.03 ±1° .XXX=±.010		DRAWN BY: TT		DATE: 03/12/10	
ALL FLATS TO BE ±.005		CHECKED:		DATE:	
NO SHARP EDGES OR BURRS ALLOWED		MFG ENG:		DATE:	
MATERIAL: SEE B.O.M.		QUALITY ENG:		DATE:	
FINISH: BLACK TEXTURED		DO NOT SCALE DRAWING		SCALE: 1:1	
MTP-06-BK EMPTY PNL W/NYLATCHES				DWG. NO. AP-6P-MTP	
SIZE A				REV. 01	
SHEET 1 OF 1				CAD FILE:	