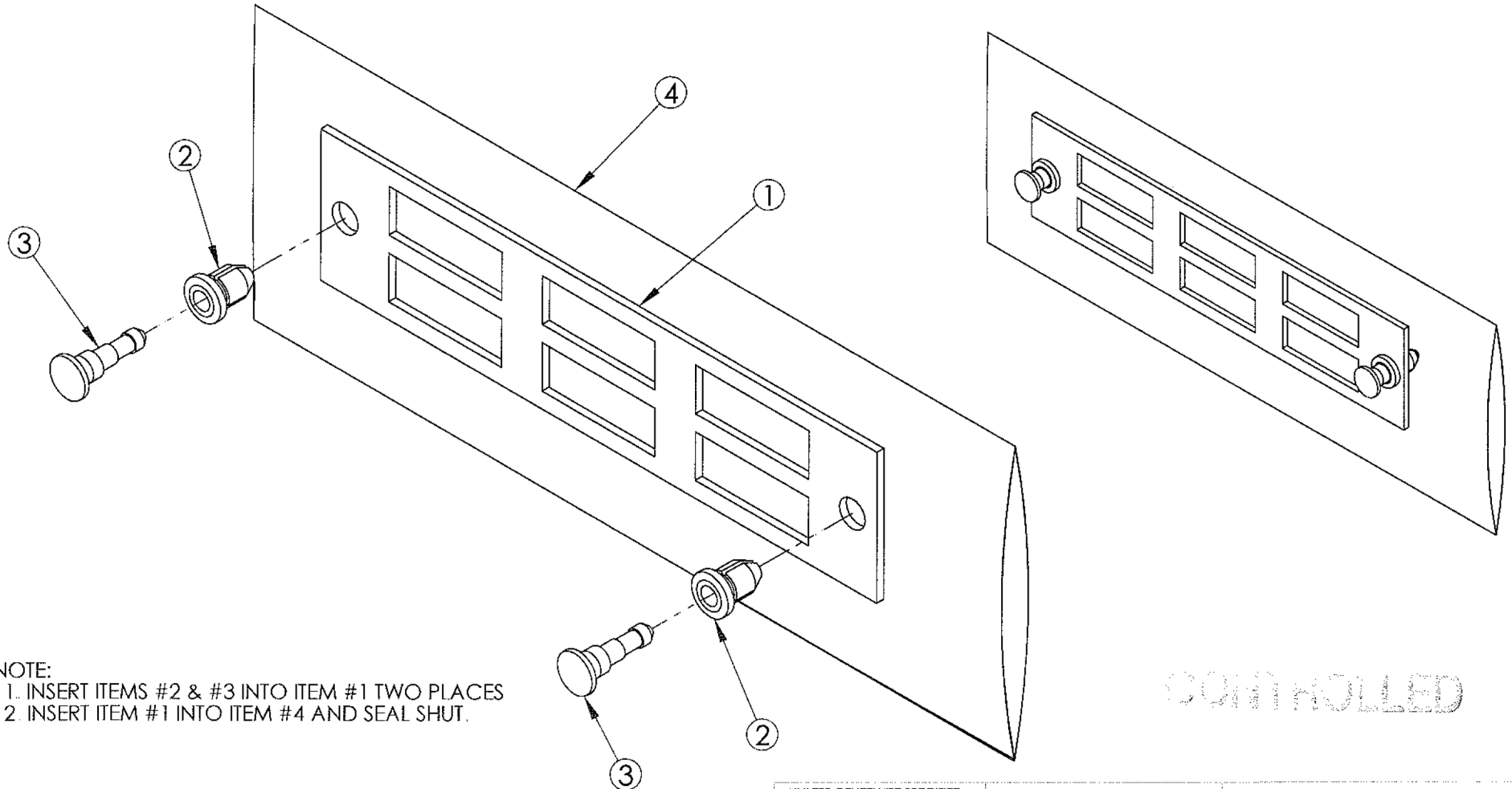


ITEM NO.	QTY.	PART NO.	DESCRIPTION
1	1	10-5533	MULTIPLATE, MSCBH-03-NB, HORIZ. BLACK
2	2	99933	LATCH, BLACK, FEMALE END GROMMET
3	2	99934	LATCH, BLACK, MALE END PLUNGER
4	1	44759	#287-1 POLY BAG, 2.5 X 7 LIGHT, ON A ROLL

REV	ECN#	DESCRIPTION OF CHANGE	DATE	BY	MFG ENG
01	N/A	INITIAL RELEASE	11/19/03	DM	
01	N/A	ALTERED DESCRIPTION FOR SALES	12/03/03	L.P.K	
02	1395	ADD ITEM #4	06/02/08	SAB	



NOTE:
 1. INSERT ITEMS #2 & #3 INTO ITEM #1 TWO PLACES
 2. INSERT ITEM #1 INTO ITEM #4 AND SEAL SHUT.

CONTROLLED



LightWave Manufacturing & Services LLC
 2111-B Spencer Road | Richmond, VA 23230 | (804) 672-8426
 www.lightwavecable.com

UNLESS OTHERWISE SPECIFIED
 DIMENSIONS ARE IN INCHES
 TOLERANCES ARE:
 FRACTIONS DECIMALS ANGLES
 ±1/32 XX=±.03 ±1°
 .XXX=±.010
 ALL FLATS TO BE ±.005
**NO SHARP EDGES OR
 BURRS ALLOWED**
 MATERIAL:
 SEE B O M
 FINISH:
 BLACK TEXTURED
 DO NOT SCALE DRAWING

THE INFORMATION CONTAINED IN
 THIS DRAWING IS THE SOLE PROPERTY
 OF MULTILINK BROADBAND INC. ANY
 REPRODUCTION IN PART OR HOLE
 WITHOUT WRITTEN PERMISSION FROM
 MULTILINK IS STRICTLY PROHIBITED
 DRAWN BY: DM DATE: 11/19/03
 CHECKED: DATE:
 MFG ENG: DATE:
 QUALITY ENG: DATE:



MULTIPLATE,
 MSCBH-03-NB, HORIZONTAL
 BLACK W/ NYLATCH
 SIZE DWG NO: **A** AP-6P-SC-2 REV. 02
 SCALE: 1:1 CAD FILE: SHEET 1 OF 1