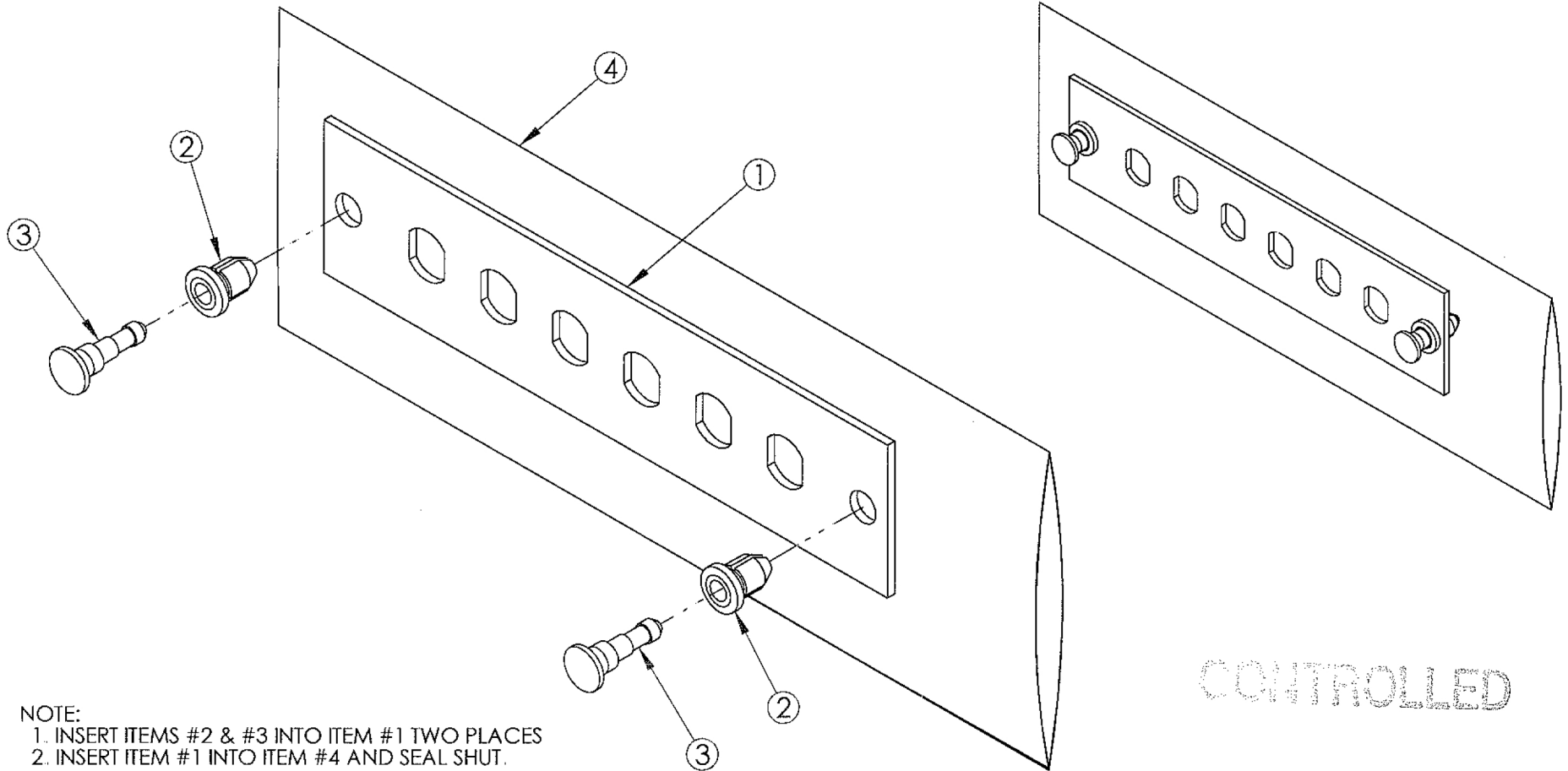


AP-6P-ST

ITEM NO.	QTY.	PART NO.	DESCRIPTION
1	1	10-5448	MULTIPLATE BK 6 ST SIMPLEX
2	2	99933	LATCH, BLACK, FEMALE END GROMMET
3	2	99934	LATCH, BLACK, MALE END PLUNGER
4	1	44759	#287-1 POLY BAG, 2.5 X 7 LIGHT, ON A ROLL

REV	ECN#	DESCRIPTION OF CHANGE	DATE	BY	MFG ENG
1A	N/A	PRELIMINARY RELEASE			
01	440	INITIAL RELEASE	10/27/03	L.P.K	
02	943	0.318 X 0.388 DD WAS 0.312 X 0.380	10/10/06	SK	
03	1395	ADD ITEM #4	06/02/08	SAB	



NOTE:
 1. INSERT ITEMS #2 & #3 INTO ITEM #1 TWO PLACES
 2. INSERT ITEM #1 INTO ITEM #4 AND SEAL SHUT.



LightWave Manufacturing & Services LLC
 2111-B Spencer Road | Richmond, VA 23230 | (804) 672-8426
www.lightwavecable.com

UNLESS OTHERWISE SPECIFIED
 DIMENSIONS ARE IN INCHES
 TOLERANCES ARE:
 FRACTIONS DECIMALS ANGLES
 ±1/32 .XX=±.03 ±1°
 .XXX=±.010

ALL FLATS TO BE ±.005

**NO SHARP EDGES OR
 BURRS ALLOWED**

MATERIAL:

SEE B.O.M.

FINISH:
 BLACK TEXTURED

DO NOT SCALE DRAWING

DRAWN BY:

L.P.K.

CHECKED:

MFG ENG:

QUALITY ENG:

DATE:

10/27/2003

DATE:

DATE:

DATE:

CONTROLLED

MSTA-03-BB EMPTY
 ST 6 PACK PANEL
 BLK W/NYLATCHES

SIZE DWG NO.

A

SCALE: 1:1

AP-6P-ST

CAD FILE:

REV.

03

SHEET

OF 1