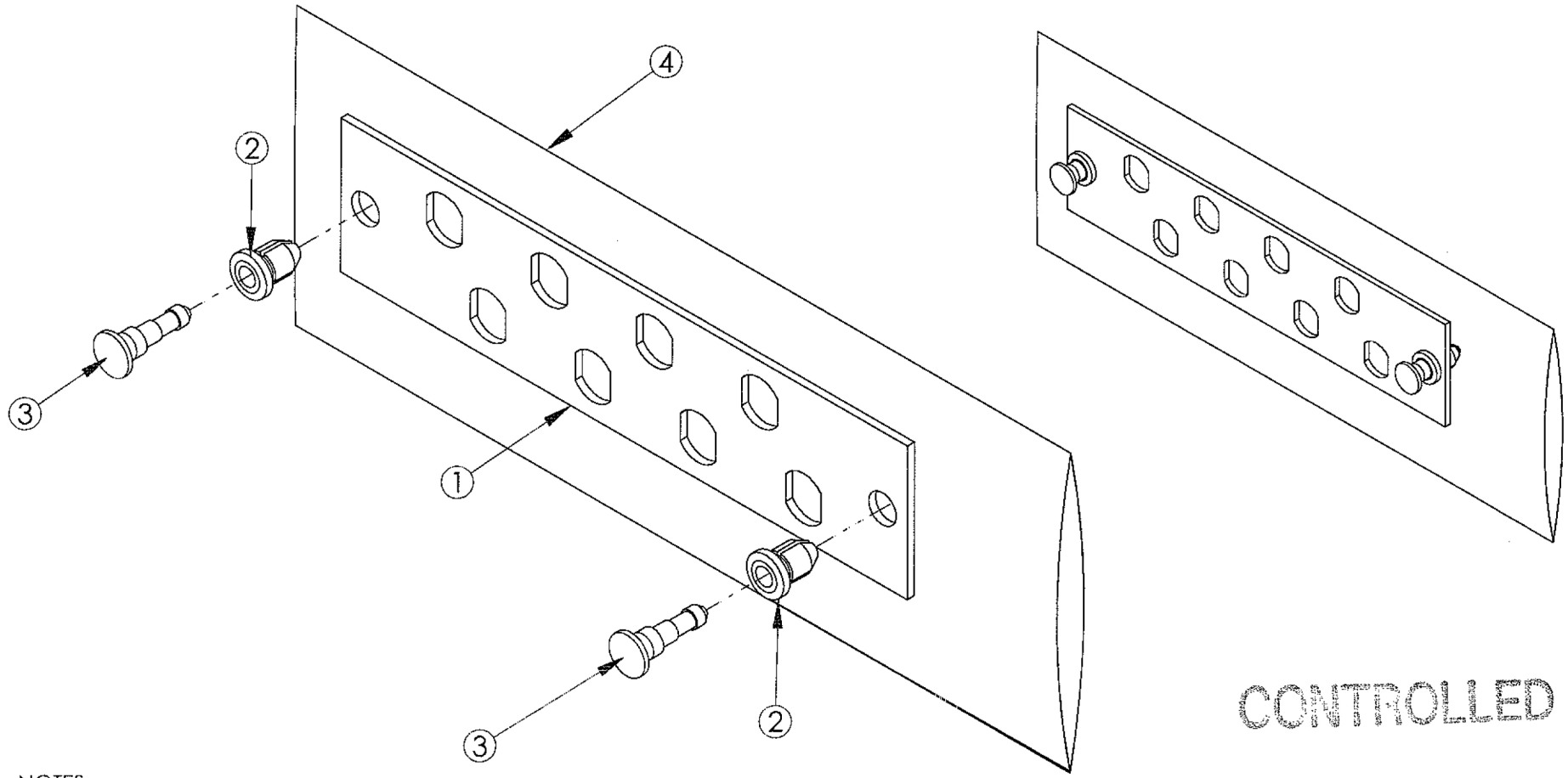


AP-8P-ST

| ITEM NO. | QTY. | PART NO. | DESCRIPTION                               |
|----------|------|----------|---|
| 1        | 1    | 10-9198  | MULTIPLATE BK 8 ST SIMPLEX                |
| 2        | 2    | 99933    | LATCH, BLACK, FEMALE END GROMMET          |
| 3        | 2    | 99934    | LATCH, BLACK, MALE END PLUNGER            |
| 4        | 1    | 44759    | #287-1 POLY BAG, 2.5 X 7 LIGHT, ON A ROLL |

| REV | ECN# | DESCRIPTION OF CHANGE                 | DATE     | BY  | MFG ENG |
|-----|------|---------------------------------------|----------|-----|---------|
| 01  | N/A  | INITIAL RELEASE                       | 05/24/05 | SK  |         |
| 02  | 943  | 0.318 X 0.388 DD WAS 0.312 X 0.380 DD | 10/07/06 | SK  |         |
| 03  | 1395 | ADD ITEM #4                           | 06/02/08 | SAB |         |



CONTROLLED

- NOTES:  
 1. INSERT ITEMS #2 & #3 INTO ITEM #1 TWO PLACES.  
 2. INSERT ITEM #1 INTO ITEM #4 AND SEAL SHUT.



LightWave Manufacturing & Services LLC  
 2111-B Spencer Road | Richmond, VA 23230 | (804) 672-8426  
 www.lightwavecable.com

UNLESS OTHERWISE SPECIFIED  
 DIMENSIONS ARE IN INCHES  
 TOLERANCES ARE:  
 FRACTIONS DECIMALS ANGLES  
 ±1/32 .XX=±.03 ±1°  
 .XXX=±.010  
 ALL FLATS TO BE ±.005

**NO SHARP EDGES OR  
 BURRS ALLOWED**

MATERIAL: SEE B.O.M.  
 FINISH: BLACK TEXTURED  
 DO NOT SCALE DRAWING

DRAWN BY: SK  
 CHECKED: SK  
 MFG ENG: SK  
 QUALITY ENG: SK  
 DATE: 05/24/05  
 DATE:  
 DATE:  
 DATE:

MST-08-BB-EMPTY  
 ST 8 PACK PANEL  
 BK W/NYLATCHES

SIZE DWG NO: **A** AP-8P-ST  
 SCALE: 1:1 CAD FILE: SHEET 1 OF 1  
 REV: 03