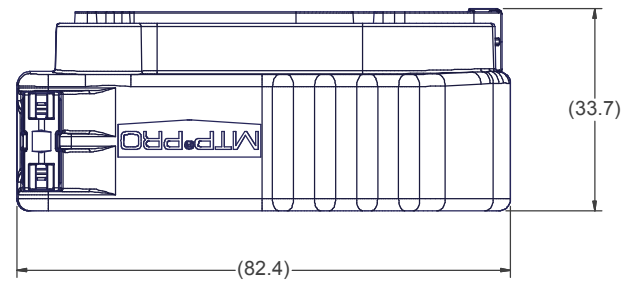
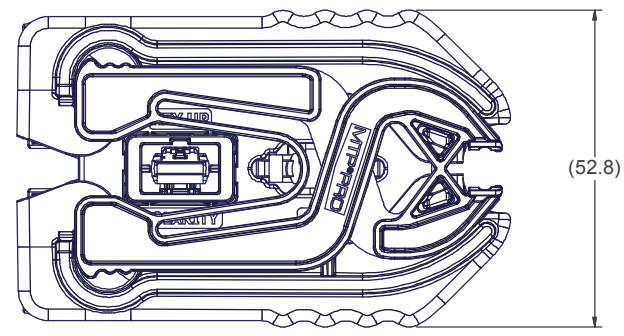
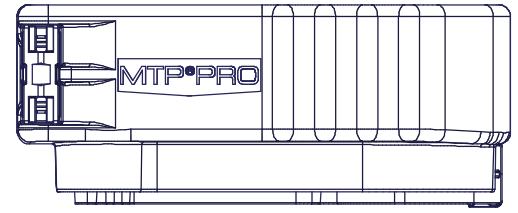
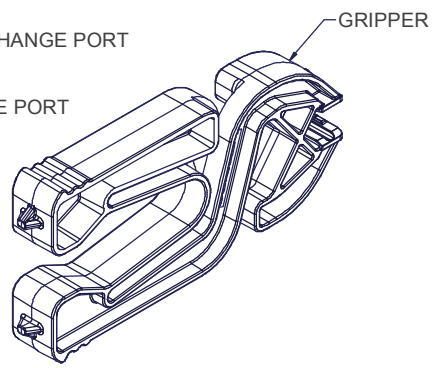
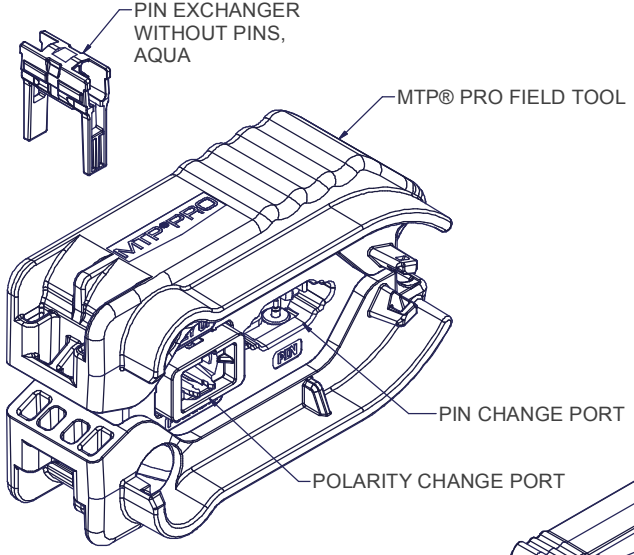


6 | 5 | 4 | 3 | 2 | 1

D
C
B
A



▲ DENOTES CRITICAL DIMENSION

PART	MATERIAL
TOOL BODY	PC
GRIPPER	PEI
PIN EXCHANGERS	PEI & STAINLESS STEEL

USCONEC LTD. PROPRIETARY
THIS DOCUMENT AND THE ASSOCIATED DATA CONTAIN RESTRICTED INFORMATION THAT IS USCONEC LTD. PROPERTY. DISCLOSE OR DUPLICATE FOR OTHERS ONLY AS AUTHORIZED BY USCONEC LTD.

Material: SEE TABLE

REV.	DATE	DESCRIPTION	ECN
X1	2/27/17	-	mm
X2	5/4/17	REVISED DESCRIPTION... GRIPPER was PLIERS	my
A	8/16/17	INITIAL RELEASE	2077-mm
	11/9/17	ADDED MATERIAL TABLE	
B	2/22/18	ADDED EXPLODED VIEW	

CUSTOMER DRAWING

USCONEC

Hickory, NC
800-769-0944
www.usconec.com

TITLE: FIELD TOOL, POLARITY/PIN, MTP® PRO

SIZE: A3 | S&M Part No.: 18814 | DWG NO: C18814 | REV: B

SCALE: N.T.S. | Drafter: M. McCROSKEY | Date: 2/27/2017 | SHEET: 1 OF 1

METRIC/mm

THIRD ANGLE PROJECTION

6 | 5 | 4 | 3 | 2 | 1