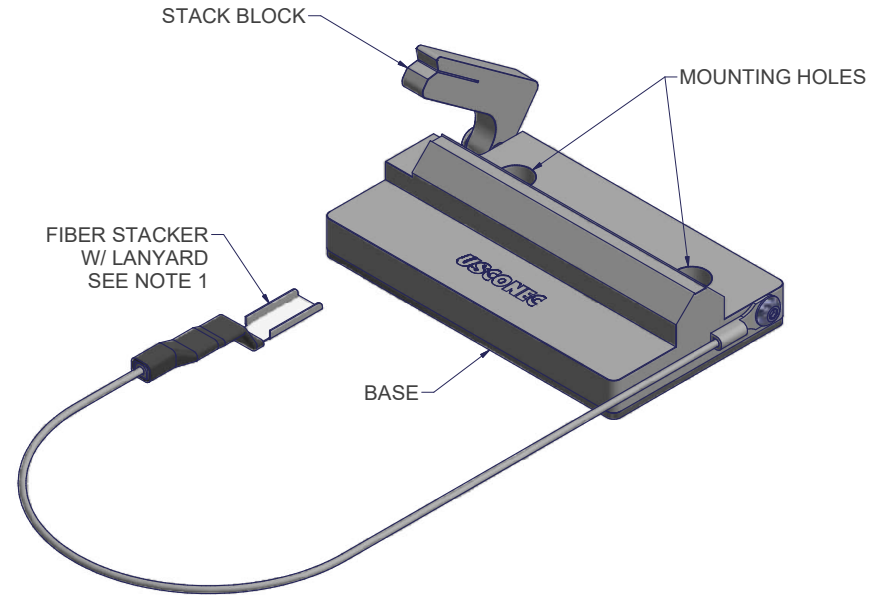
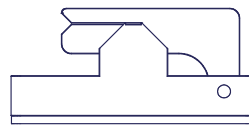
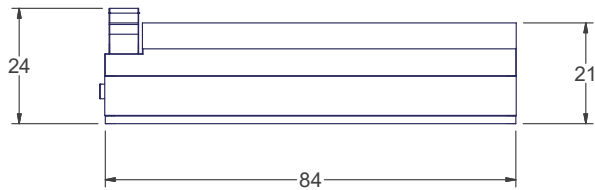
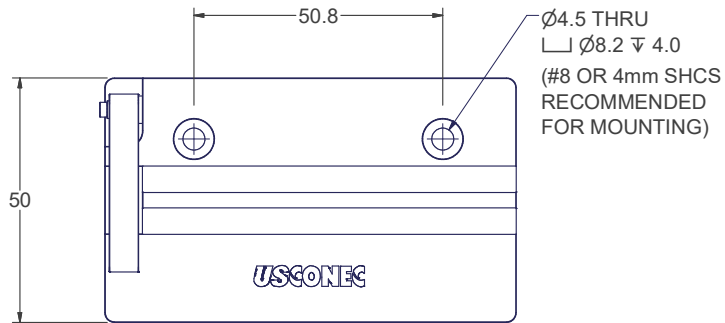


P/N	FIBER COUNT
8040	12F
8660	8F
15818	16F



NOTES:

1. FIBER STACKER W/ LANYARD:  
P/N 8231 IF ORDERED SEPARATELY

**USCONEC LTD. PROPRIETARY**  
THIS DOCUMENT AND THE ASSOCIATED DATA CONTAIN RESTRICTED  
INFORMATION THAT IS USCONEC LTD. PROPERTY. DISCLOSE OR DUPLICATE FOR  
OTHERS ONLY AS AUTHORIZED BY USCONEC LTD.

**Material:** N/A

REV.	DATE	DESCRIPTION	ECN
C	3/15/06	ADDED MOUNTING SCREW RECOMMENDATION	00762
D	8/15/06	ADD TABLE FOR NEW FIBER COUNT VERSIONS	00823
E1	2/24/14	ADDED NEW 16 FIBER COUNT ASSY PN 15818	1681-mm
E	5/10/16	RELEASE	1681-mm
F	1/19/21	OBSOLETE P/N 8662 (4F RIBBONIZING TOOL)	2156-mm

**CUSTOMER  
DRAWING**

DIMENSIONS FOR REFERENCE  
ONLY

THIRD ANGLE PROJECTION



**METRIC/mm**



▲ DENOTES CRITICAL DIMENSION  
Hickory, NC  
800-769-0944  
www.usconec.com

**TITLE**  
**TOOL, FIBER RIBBONIZING**

SIZE	S&M Part No.:	DWG NO.	REV
<b>B</b>	SEE TABLE	<b>C8040</b>	<b>F</b>
SCALE	Drafter	Date:	SHEET
N.T.S.	M. YOUNT	9/16/2005	1 OF 1