

ERWEN-12E

19" Equipment Hinged Wall Rack Enclosure – 12 spaces

Product Features:

- Works with all standard 19" rack equipment and accessories
- Rails threaded with standard 10-32 threading
- Adjustable front and rear rails
- Vented top and bottom
- Top and bottom cable routing knockouts
- Reversible hinged tempered glass front door
- Removable hinged back panel
- Lockable, removable side panels (Locks not included)
- Welded steel construction
- Ships assembled
- Load capacity – 120 lbs
- Black powder coat finish

Product Specifications:

(for Architects & Engineers)

The 12 RU (Rack Unit) wall mounted equipment rack enclosure shall be the Video Mount Products (VMP) ERWEN-12E. The overall dimensions for the ERWEN-12E are 25.3" H x 24.3" W x 21.9" D with a maximum useable depth of 16". The ERWEN-12E shall work with all EIA compliant 19" rack equipment and accessories which are less than 16" in depth. The ERWEN-12E shall come equipped with two sets of adjustable rack rails which are #10-32UNF threaded and have rack spaces numbered. The ERWEN-12E shall come with a lockable, reversible tempered glass front door. The ERWEN-12E shall have a removable wall plate with mounting holes for wooden studs with 16" centers. The ERWEN-12E shall have a lockable, hinged wall plate allowing the main enclosure to rotate 90 degrees while mounted on the wall and fully loaded. The ERWEN-12E shall have a vented top and bottom with cable entry and exit points located on the top and bottom of the wall plate and on the top of the main enclosure. The ERWEN-12E shall have two mounting points for standard fans which can be purchased separately.

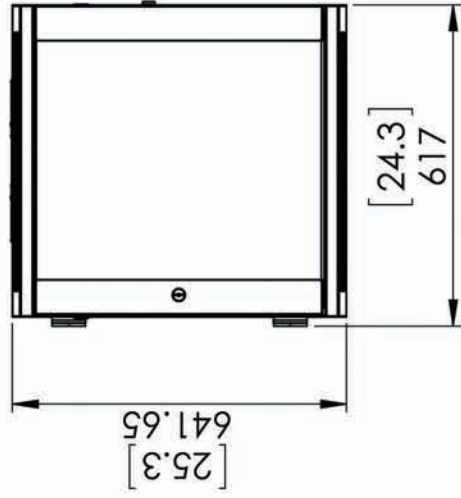
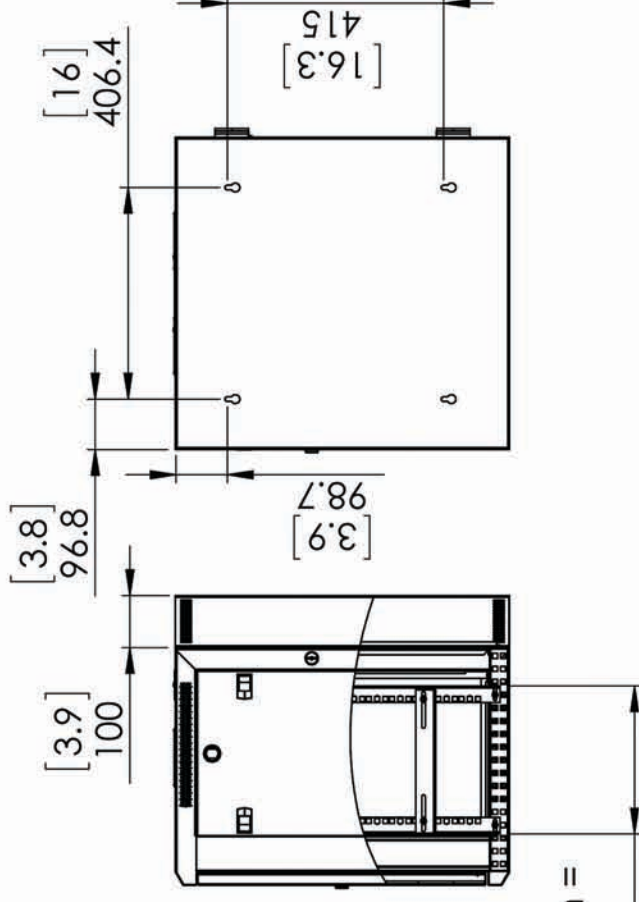
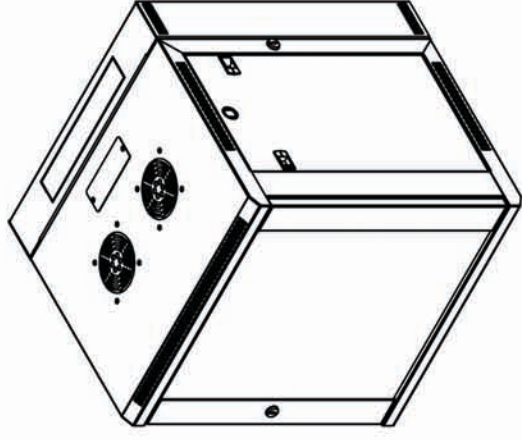
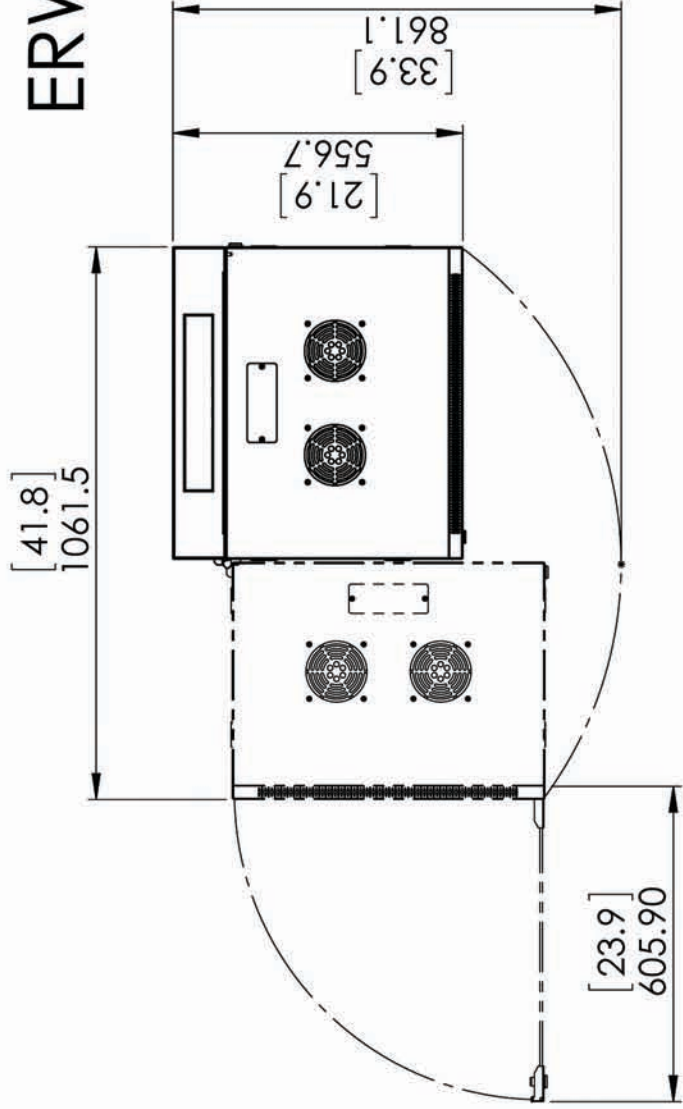
The ERWEN-12E shall have removable side panels which can accept locks (sold separately). The ERWEN-12E shall have a load capacity of 120 lbs. The ERWEN-12E shall be fully welded and ship assembled. The ERWEN-12E shall have a powder coat black finish.



Cables Plus
U ★ S ★ A

DISTRIBUTED BY: Cables Plus, LLC | 5608 West Marshall St, Richmond, VA 23230
Toll Free: (866) 678-5852 | Fax: (804) 716-9040 | www.cablesplususa.com

ERWEN-12E



Maximum useable depth = 406.4 [16]

Units: mm [inch]

CablesPlus
U ★ S ★ A

DISTRIBUTED BY:
Cables Plus, LLC
5608 West Marshall Street, Richmond, VA 23230
Toll Free: (866) 678-5852 | Fax: (804) 716-9040
www.cablesplususa.com