



ERWEN-6E

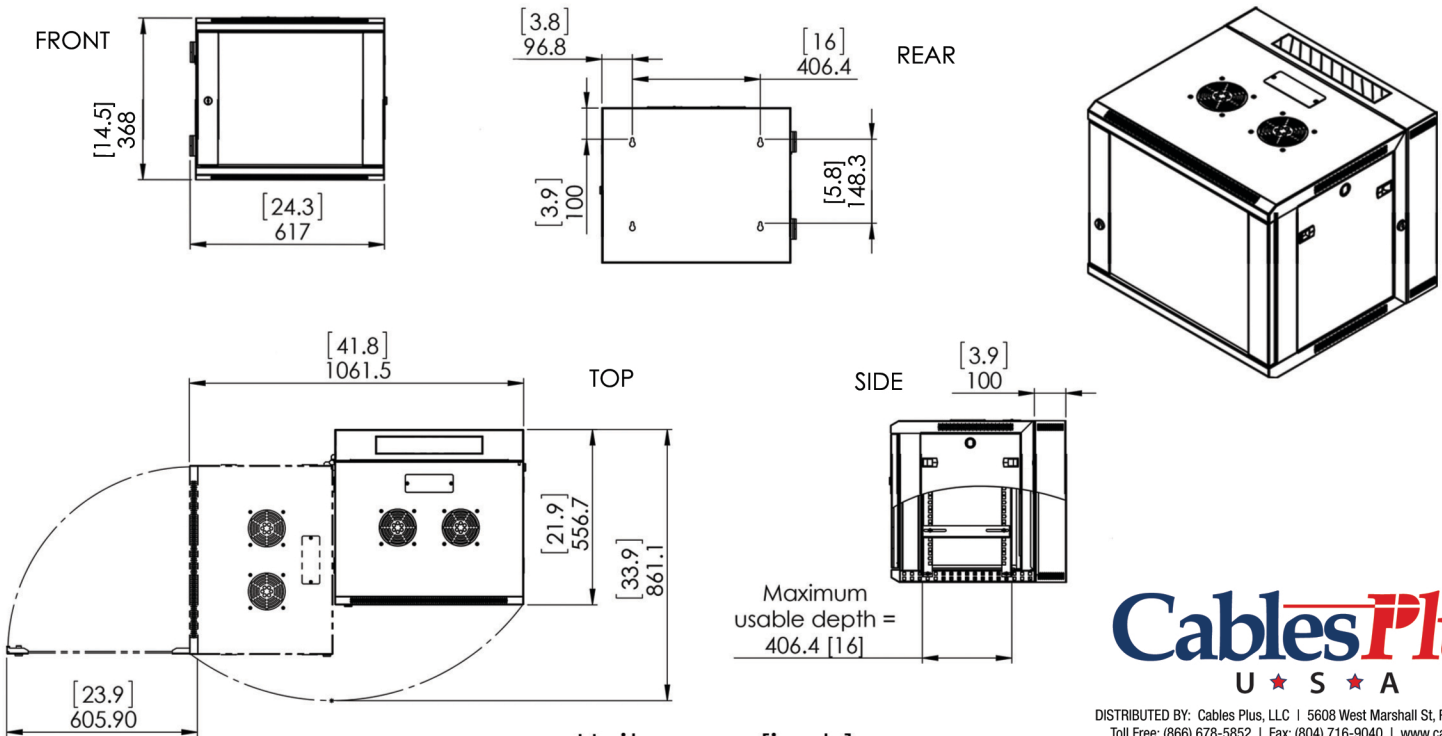
19" Equipment Hinged Wall Rack Enclosure - 6U

- Works with all standard 19" rack equipment and accessories
- Rails have numbered spaces with standard 10-32 threading
- Welded steel construction
- Ships fully assembled
- Adjustable front and rear rails
- Vented top and bottom
- Top and bottom cable routing knockouts
- Removable hinged back panel
- Reversible hinged tempered glass front door
- Removable side panels (optional locks available)
- Load capacity - 120 lbs
- Black powder coat finish

Accessories

[A] Side Panel Locks - ERENSL2 (Pair)

[B] 2 Fan Kit - ERWEN2FANKIT



Units: mm [inch]