

# ERWR Series

Fixed Wall Mount Rack

## Product Features:

18" depth for added versatility

Spaces Marked on Rack Rail

Standard 10-32 threading

EIA Compliant

Steel Construction

Convenient tie down slots in top and bottom side supports

Load Capacity 65 lbs.

Ships knocked down for standard ground service

Durable black powder coat finish

## ERWR8

8 Rack Spaces

Overall Dimensions: 17.86"H x 19.6"W x 18"D

## ERWR12 (Shown)

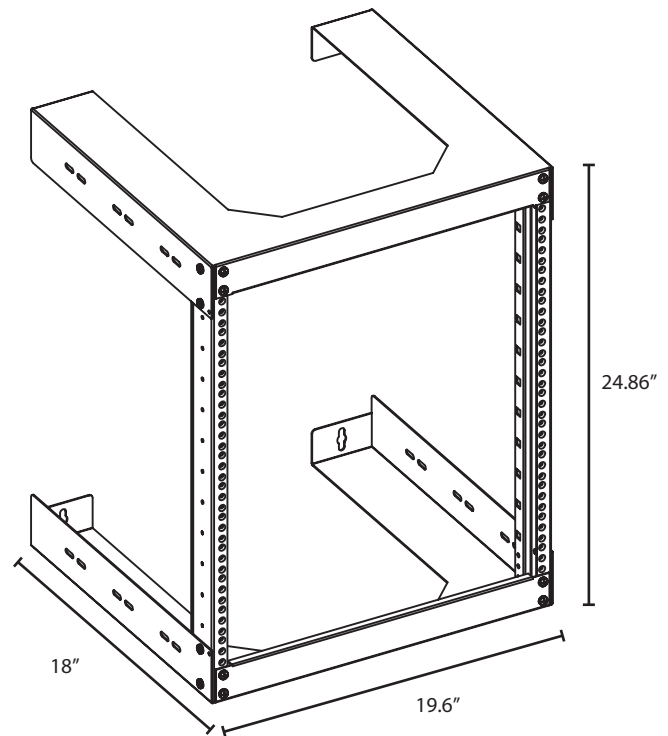
12 Rack Spaces

Overall Dimensions: 24.86"H x 19.6"W x 18"D

## Product Specifications:

*(for Architects & Engineers)*

The wall mounted equipment rack shall be the Video Mount Products (VMP) ERWR\_\_\_\_. The rack shall be capable of mounting to studs with 16" centers or other suitable mounting surfaces. The rack shall be capable of accommodating standard 19" racking equipment. The top and bottom side support arms shall be constructed of 16 gauge steel and the rack rail shall be 14 gauge steel. Rack rails shall be tapped with 10-32 holes in universal EIA spacing and have marked rack spaces. The rack shall have \_\_\_\_ rack spaces. The rack shall be a fixed style open frame wall rack with tie down slots in the top and bottom side support arms. The rack shall be finished with a durable black powder coat and have a load capacity of 65 lbs. The rack shall be warranted to be free from defects in material and workmanship under normal use, FOREVER.



## Video Mount Products

345 Log Canoe Circle Stevensville, MD 21666

Toll Free: 877.281.2169 Telephone: 410.643.6390

Facsimile: 410.643.6615 [www.videomount.com](http://www.videomount.com)

**VMP**  
VIDEO MOUNT PRODUCTS