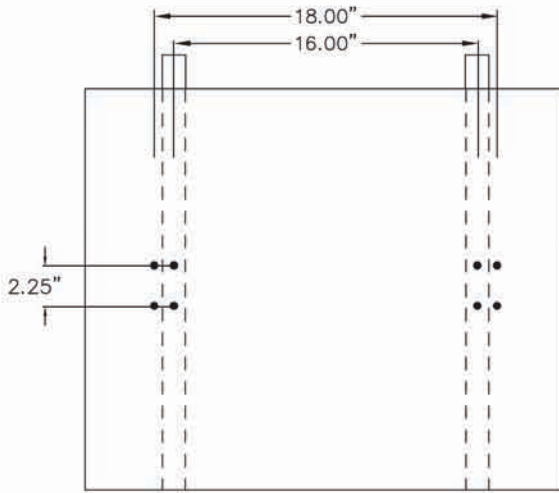
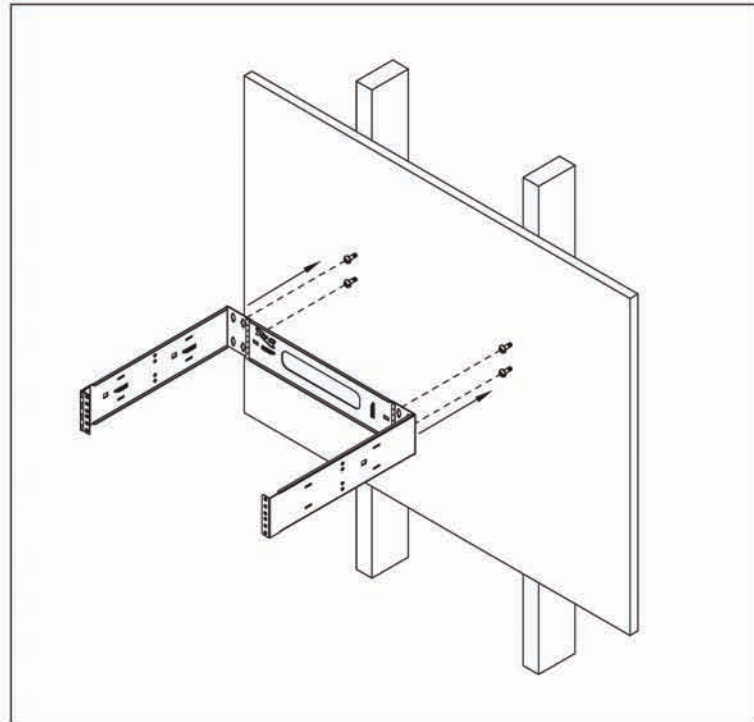


EZ-FOLD™ Wall Mount Bracket, 2 RMS

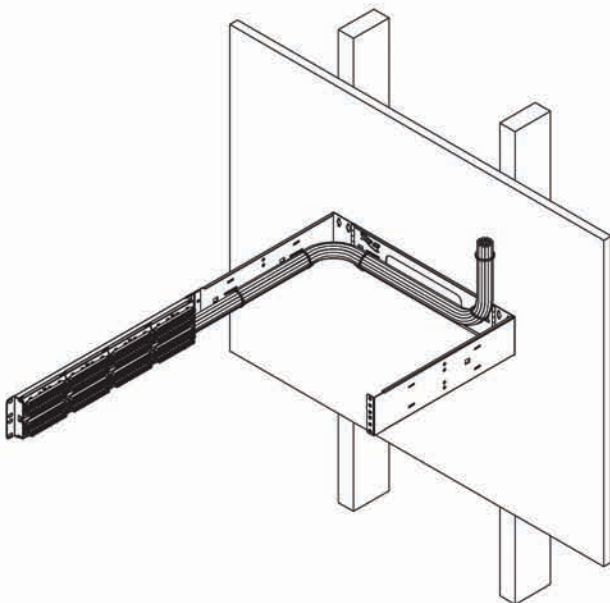
I N S T A L L A T I O N I N S T R U C T I O N S



Step 1. Pre-drill screws onto the wall surface, but do not tighten completely.
• Use inner mounting holes positioned at 16.00" to secure bracket to studs.
• Use outer mounting holes positioned at 18.00" to secure bracket to board.
Note: Screws not included. It is recommended to use a level for accurate mounting.

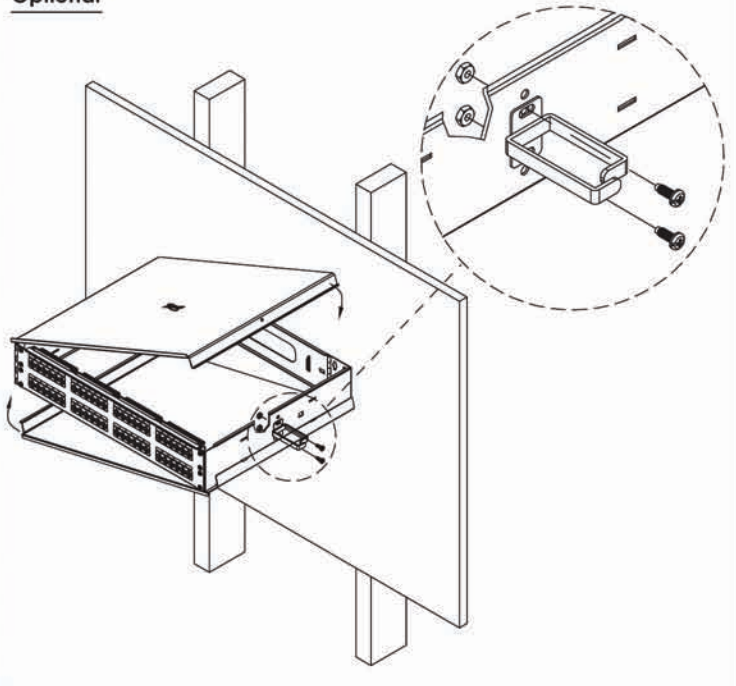


Step 2. Align mounting holes to the semi-tighten screws and mount the bracket. Tighten all screws securely before mounting equipment.



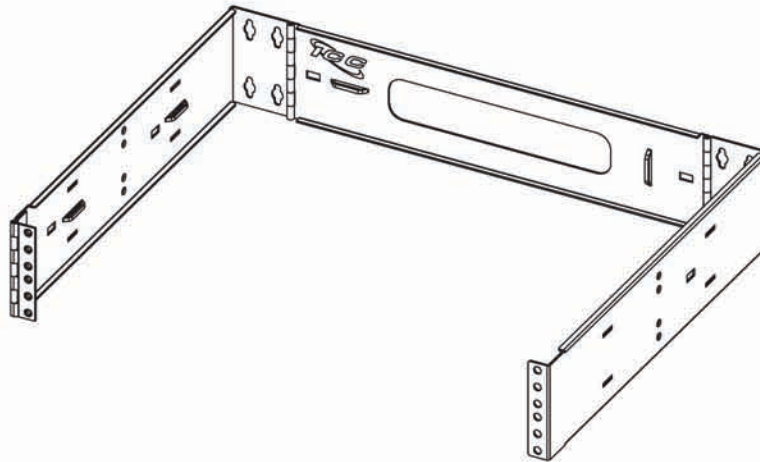
Step 3. Route and secure cable bundle(s) to the bracket as shown.

Optional



1. Complete installation by installing covers on top and bottom of bracket.
2. Metal rings can be mounted along the sides of the bracket for cable management. *Note: To secure the rings, use #12-24 machine screw nut with lock washer or #12-24 flange nut. (Not sold by ICC)*

EZ-FOLD™ Wall Mount Bracket, 2 RMS

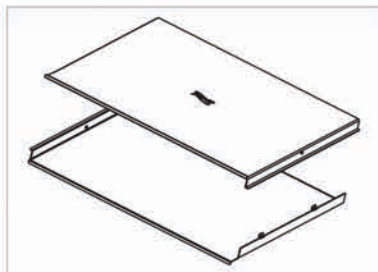


Item No.	Description	Rack Mount Spaces	Weight Capacity	#12-24 Screws
ICCMSABRS2	19.30" L X 3.50" H X 15.00" D	2	30 lbs.	8

F E A T U R E S & B E N E F I T S

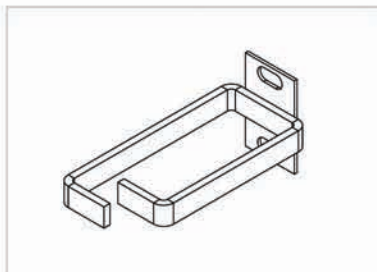
- Designed with heavy duty steel supporting up to 30 lbs. of equipment
- 15" depth for network and phone equipments
- Cable tie anchors throughout for organizing cables
- Compatible with standard 19" width equipment and EIA-310-D hole pattern

O P T I O N A L A C C E S S O R I E S



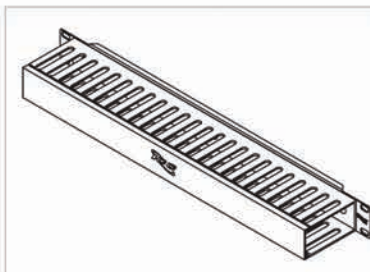
EZ-FOLD Wall Mount Bracket Covers
ICCMSABRSC Top and bottom covers

- Mounts on top and bottom
- Helps protect equipment and cables
- Strong steel construction



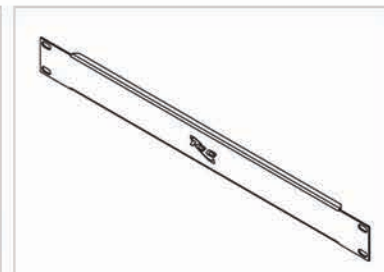
Metal Cable Management Rings
ICCMSCMPR1 1.70" Single, Vertical
ICCMSCMPR2 3" Single, Vertical

- Metal construction for durability
- Single sided rings



Single Horizontal Finger Ducts
ICCMSCMA41 1.58" H x 3.15" D, 1 RMS
ICCMSCMA42 3.15" H x 3.15" D, 2 RMS

- For front cable management
- Durable steel base with plastic fingers
- Includes slide-on cover



Blank Panels
ICCMSCMPB1 1.75"H x 19"W, 1 RMS
ICCMSCMPB2 3.50"H x 19"W, 2 RMS
ICCMSCMPB3 5.25"H x 19"W, 3 RMS

- Fills empty spaces between mounted equipment
- Strong steel construction