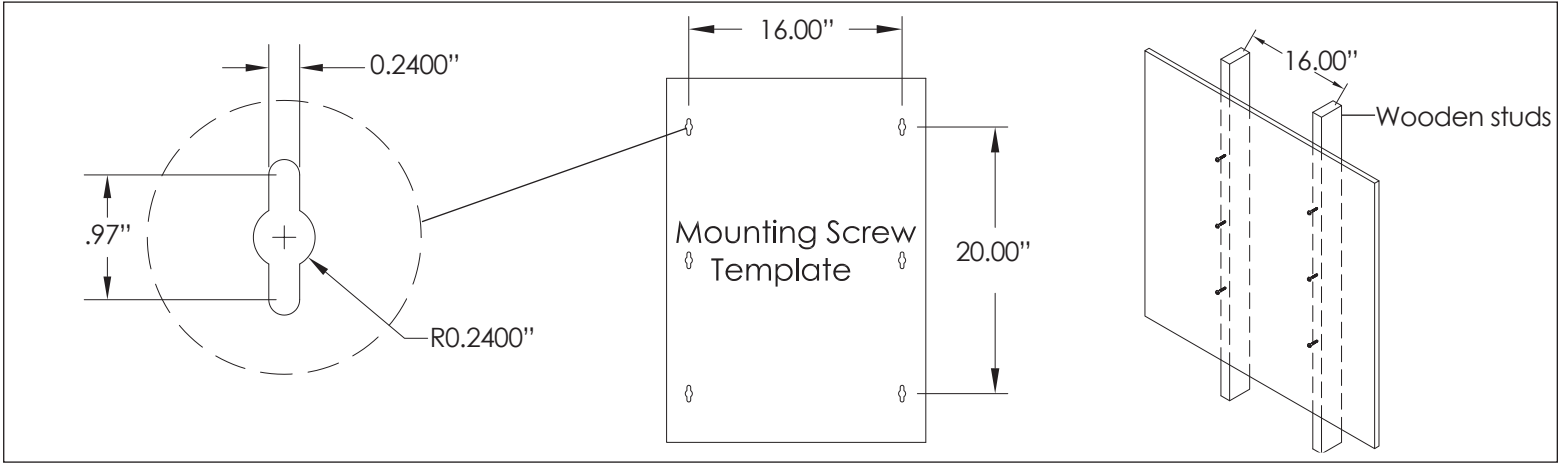


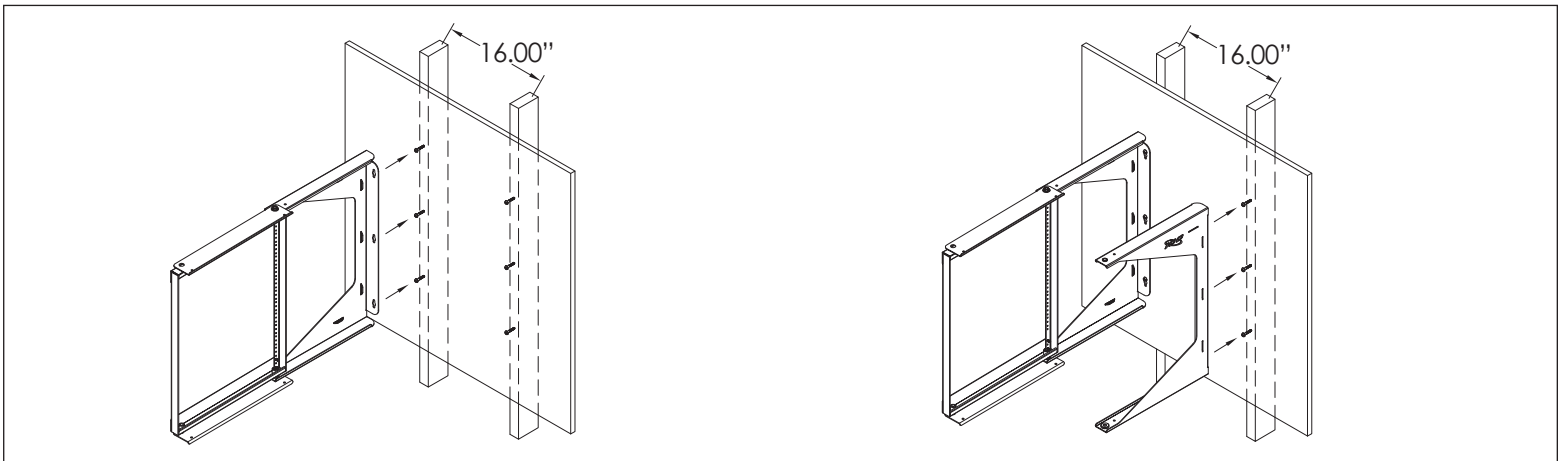


Swing Frame Wall Mount Rack, 12 RMS

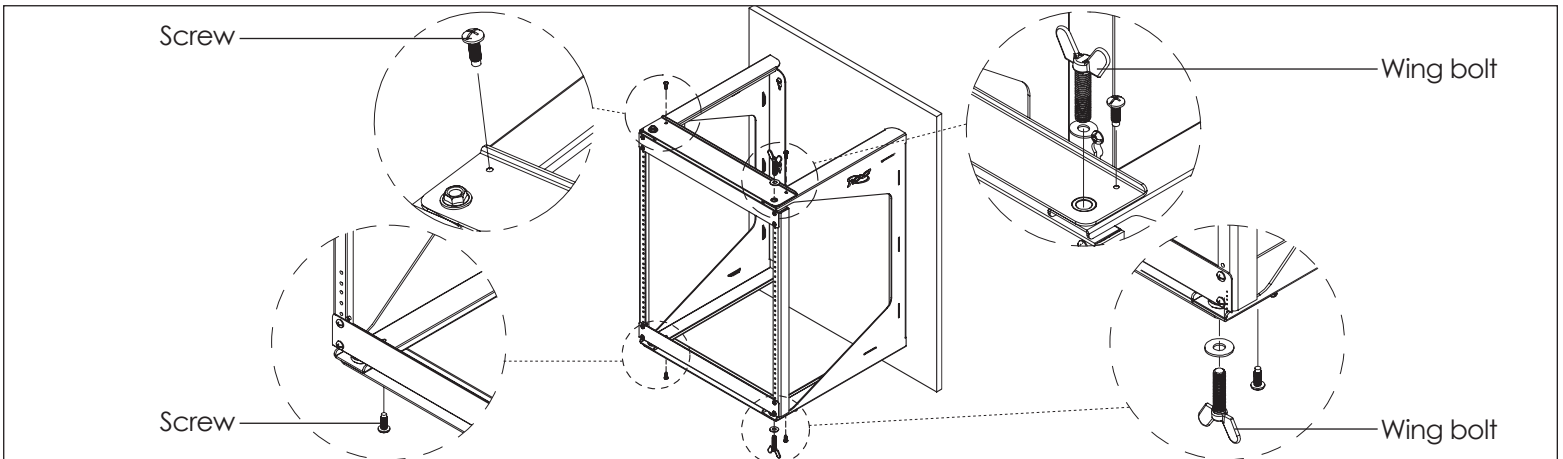
INSTALLATION INSTRUCTIONS



Step 1: Locate studs, then use the template to mark 6 locations for mounting screws (not provided). Pre-drill the screws without fully tightening them.



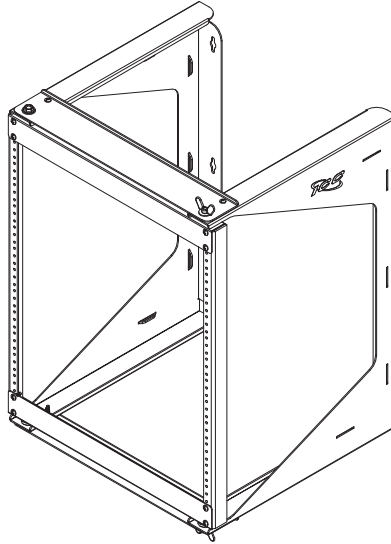
Step 2: Rack can be installed to swing open left or right. Place the left and right brackets onto the pre-drilled screws then tighten all screws.



Step 3: Use four #12-24 screws and two wing bolts to secure the top and bottom of the frame to the brackets. **CAUTION!** Please do not exceed more than 85 lbs weight capacity.

Swing Frame Wall Mount Rack, 12 RMS

INSTALLATION INSTRUCTIONS

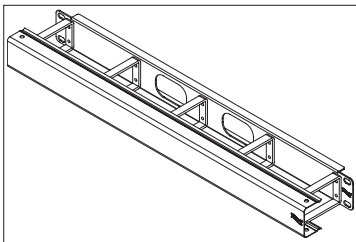


Item #	Dimensions	#12-24 screws
ICCMSSFR12	19.50"W x 25.60"H x 18.00"D	25 screws

FEATURES AND BENEFITS

- Manufactured with heavy duty steel.
- Supports up to 85 lbs. when properly mounted and fastened.
- Swing out feature allows for easy maintenance and upgrades.
- Rack can be installed to swing open left or right.

OPTIONAL ACCESSORIES

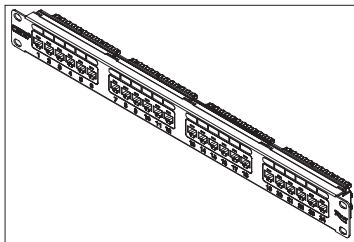


Metal Ring Panels

ICCMSCMPK1 Panel with cover, 1 RMS

ICCMSCMPK2 Panel with cover, 2 RMS

- For horizontal cable routing



Patch Panels

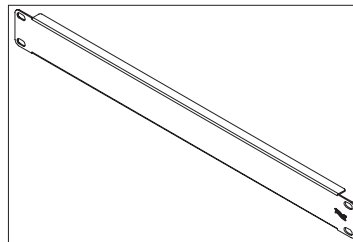
ICMPP0245E CAT 5e 24-Port, 8P8C, 1 RMS

ICMPP0485E CAT 5e 48-Port, 8P8C, 2 RMS

ICMPP02460 CAT 6 24-Port, 8P8C, 1 RMS

ICMPP04860 CAT 6 48-Port, 8P8C, 2 RMS

- Exceeds ANSI/TIA-568 standards
- Rear 110-Type IDC termination



Blank Panels

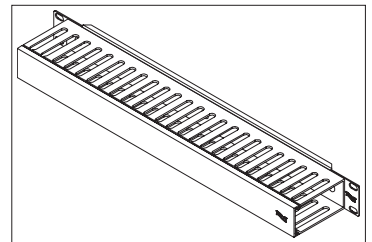
ICCMSCMPB1 1.75"H x 19"W, 1 RMS

ICCMSCMPB2 3.50"H x 19"W, 2 RMS

ICCMSCMPB3 5.25"H x 19"W, 3 RMS

ICCMSCMPB4 7.00"H x 19"W, 4 RMS

- Fills empty spaces between mounted equipment
- Steel construction for durability



Single Horizontal Finger Ducts

ICCMSCMA41 1.75"H x 3.19"D, 1 RMS

ICCMSCMA42 3.50"H x 3.23"D, 2 RMS

- For front cable management
- Durable steel base with plastic fingers
- Includes slide-on cover

1 RMS (Rack Mount Space) = 1.75"

888-ASK-4ICC

csr@icc.com

icc.com