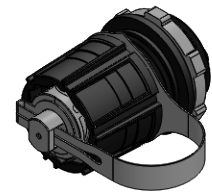
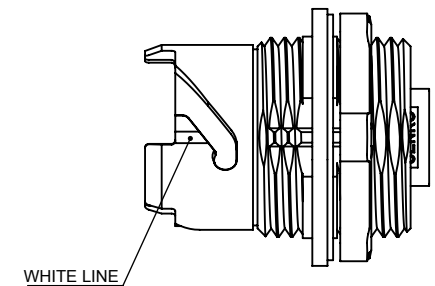
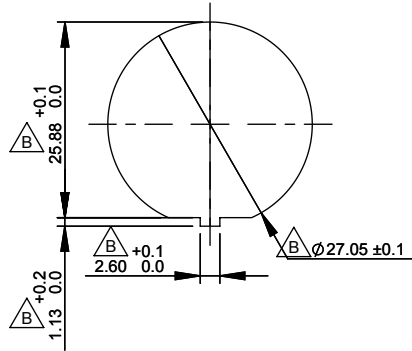
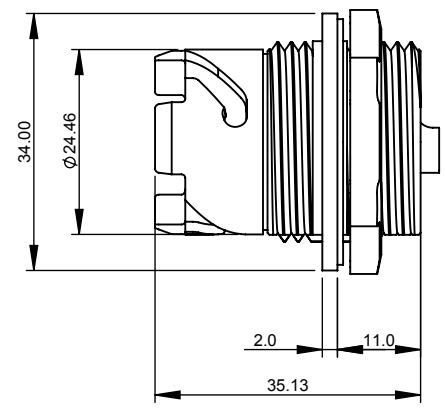
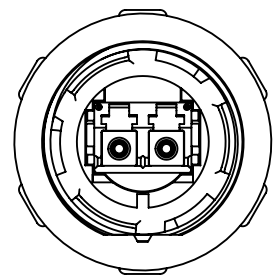
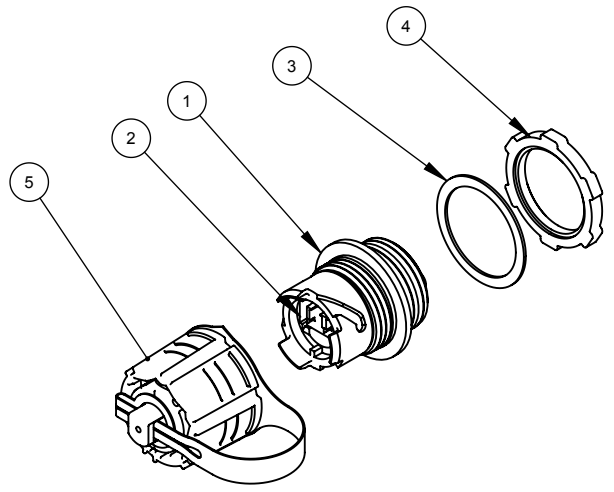


1	2	3	4
NOTES: 1. ALL MATERIALS ARE COMPLIANT TO RoHS, REACH SVHC AND UL 94 V-0			
IP ADAPTER CODE	LC ADAPTER TYPE		(OPTIONAL)
IP-LC-LA	4S11	PC: BLUE DUPLEX WITH ZR SLEEVES	D WITH IP DUST CAP
	4S31	APC: GREEN DUPLEX WITH ZR SLEEVES	
	4S91	MM: AQUA DUPLEX WITH ZR SLEEVES	

REVISIONS				
ZONE	REV.	DESCRIPTION	DATE	APPROVED
	A	SGER-0161, INITIAL RELEASE	1/14/2016	J. GNIADEK
1A, 5D, 5E, 6E	B	MOUNTING HOLE DIMENSION UPDATED; SLEEVE MATERIAL CHANGED (8/23/2018 COLOR OPTION UPDATED)	9/6/2017	NEAL HO



OPTIONAL SHOWN



CONFIDENTIAL

Category

C

Information on this document is proprietary and may not be used, copied, reproduced, or disclosed without the written consent of SENKO Advanced Components, Inc.

UNLESS OTHERWISE SPECIFIED:
DEBURRS ALL SHARP EDGES.
DIMENSIONS ARE AFTER FINISH.

All Dimensions are in mm

TOLERANCES: X. = ±
X = ±0.2
XX = ±0.20
.XXX = ±
∠ = ±°

ITEM NO.	PART NUMBER	DESCRIPTION	QTY.
1	IP-LC-LA4SXX	IP+ ADAPTER HOUSING, BULKHEAD, PBT, BLACK, (DWG# ENM15-113)	1
2		LC ONE PIECE DUPLEX ADAPTER, SR-SR, SC FOOTPRINT, NO FLANGE, NO SHUTTER (DWG# EN10-310)	1
3		IP ADAPTER COMPRESSION SEAL, (DWG# C-ENM15-218)	1
4		IP ADAPTER NUT, (DWG# C-ENM15-219)	1
5		DC-IP-LAD-01	IP-PLUS ADAPTER DUST CAP, (DWG# ENM15-252)

Drawn By: Jimmy Chang	Checked By: ENG. DEPT.	Material: SEE BOM	Scale: Free
SENKO Advanced Components		Part Number: IP-LC-LA4SXX Description: IP-LC PLUS BULKHEAD ADAPTER	
DWG# C-ENM15-118		Rev. B	Sheet 1