

1

2

3

4

5

6

7

8

NOTES:  
 1. ALL MATERIALS ARE COMPLIANT TO RoHS, REACH SVHC AND UL 94 V-0

IP ADAPTER CODE	LC ADAPTER TYPE		(OPTIONAL)
IP-LC-LAI	4S11	PC: BLUE DUPLEX WITH ZR SLEEVES	D WITH IP DUST CAP
	4S31	APC: GREEN DUPLEX WITH ZR SLEEVES	
	4S91	MM: AQUA DUPLEX WITH ZR SLEEVES	

REVISIONS				
ZONE	REV.	DESCRIPTION	DATE	APPROVED
	A	SGER-0161, INITIAL RELEASE	1/14/2016	J. GNIADK
4D, 4E, 5E, 6E	B	MOUNTING HOLE DIMENSION UPDATE	6/16/2017	J. GNIADK
1A	C	SLEEVE MATERIAL CHANGED (180823 COLOR OPTION UPDATED)	9/1/2017	N. HO

A

A

B

B

C

C

D

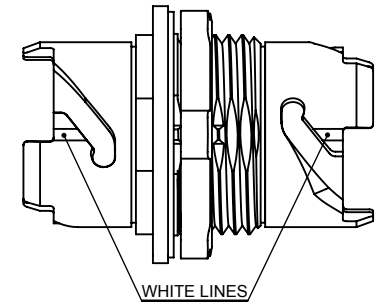
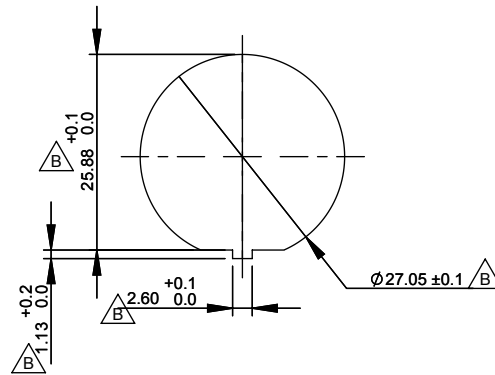
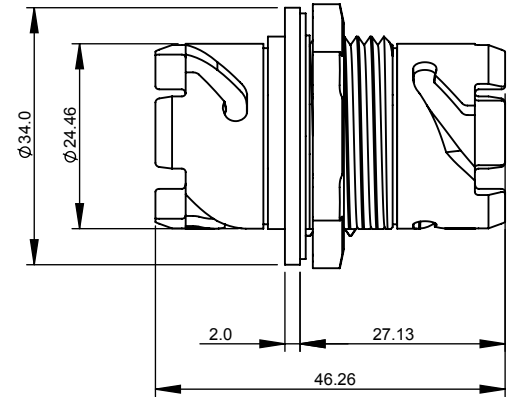
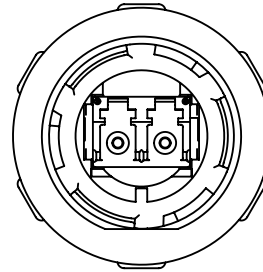
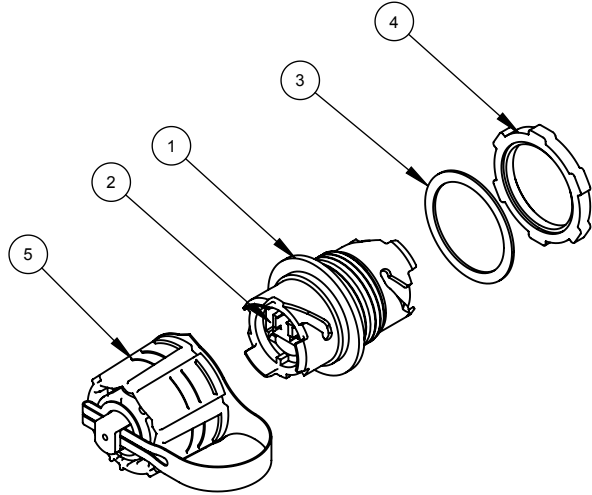
D

E

E

F

F



OPTIONAL SHOWN



**CONFIDENTIAL**

Category

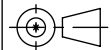
**C**

Information on this document is proprietary and may not be used, copied, reproduced, or disclosed without the written consent of SENKO Advanced Components, Inc.

UNLESS OTHERWISE SPECIFIED: DEBURRS ALL SHARP EDGES. DIMENSIONS ARE AFTER FINISH.

All Dimensions are in mm

TOLERANCES: X. = ±  
 X = ±0.2  
 .XX = ±0.20  
 .XXX = ±  
 <math>\angle</math> = ±\*



ITEM NO.	PART NUMBER	DESCRIPTION	QTY.
1		IP+ ADAPTER HOUSING, IN-LINE, PBT, (DWG# ENM15-112)	1
2	IP-LC-LAI4SXX	LC ONE PIECE DUPLEX ADAPTER, SR-SR, SC FOOTPRINT, NO FLANGE, NO SHUTTER (DWG# EN10-310)	1
3		IP ADAPTER COMPRESSION SEAL	1
4		IP ADAPTER NUT	1
5	DC-IP-LAD-01	IP-PLUS ADAPTER DUST CAP, (DWG# ENM15-252)	1

Drawn By: Jimmy Chang      Checked By: ENG. DEPT.      Material: SEE BOM      Scale: Free



**SENKO**  
Advanced Components

Part Number: IP-LC-LAI4SXX  
 Description: IP-LC PLUS IN-LINE ADAPTER

DWG# C-ENM15-117      Rev. C      Sheet 1

1

2

3

4

5

6

7

8