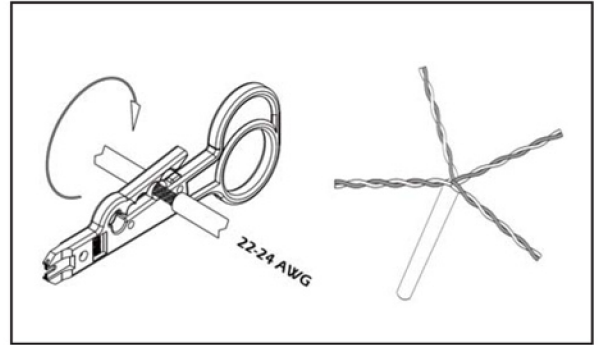
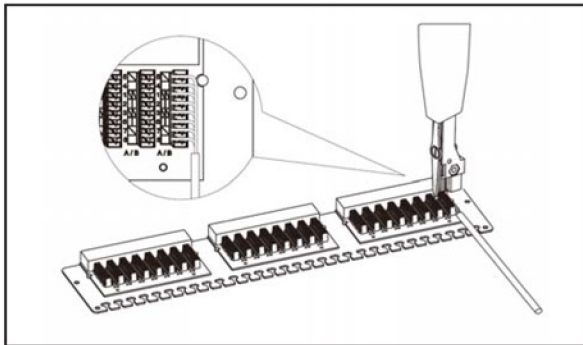


1. Unlock the screws for separating the Patch Panel into two parts.

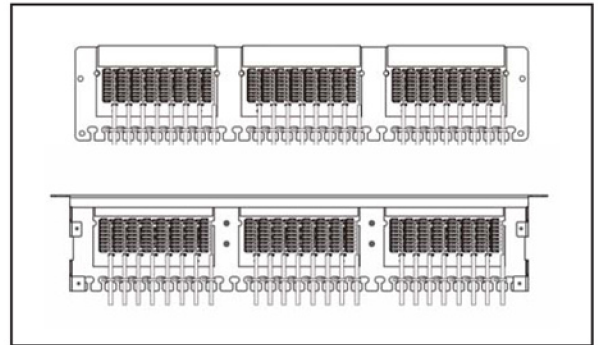


2. Strip the outer plastic jacket about 3cm and cut off the filler.
Separate each pair of wires.

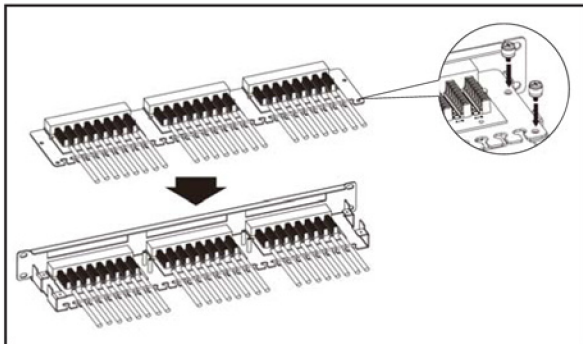


3. Seat each wire into the the IDC slots according to the color scheme. Punch down each wire with a proper impact tool. Then tie the cables up with panel by cable ties.

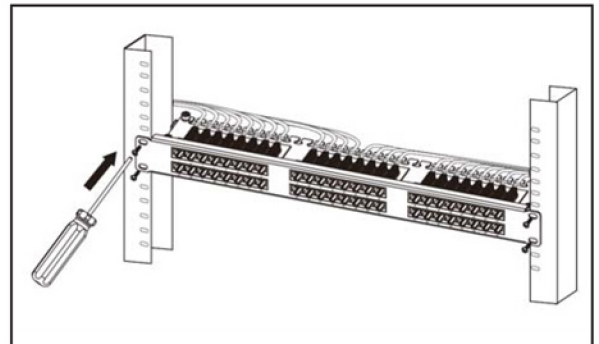
NOTE: Please **Do Not** over-tighten the cables.



4. Repeat the Step.3 till Complete 48 IDC slots.



5. Intergrate two parts into one by locking the screws.



3. Fix the terminated panel on the rack.
Completion.

NOTE:

1. **Do Not** install wiring in a wet location or during a lightning storm.
2. When terminating cables onto the patch panel, set your impact tool to low impact. Failure to do so will cause damage to the clip.
3. After cables terminated, use cable tie to tighten cables. Secured and protect connection.
4. **Do Not** insert RJ11 6P plug. RJ45 and RJ11 connection are not compatible nor interoperable.