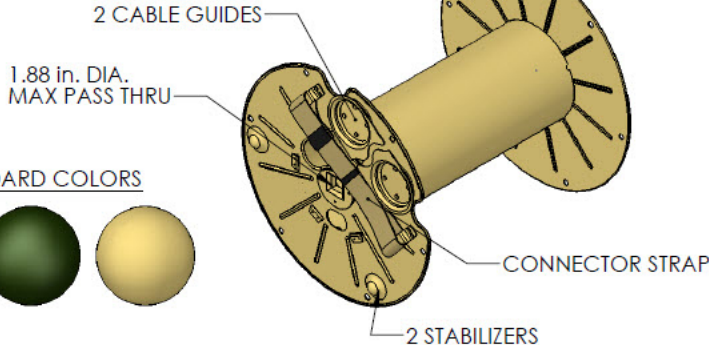


**NOTES**

1. WEIGHT: 16.36 LBS
2. MATERIAL: STEEL
3. CABLE CAPACITY: 1000 METERS OF 6 MM DIAMETER
4. FINISH: CARC PAINT OR BLACK POWDER COAT
5. MAX CABLE WEIGHT: 62 LBS

STANDARD COLORS



**RFO - 1000**

**CablesPlus**  
U ★ S ★ A

DISTRIBUTED BY:  
Cables Plus, LLC  
5608 West Marshall Street, Richmond, VA 23230  
Toll Free: (866) 678-5852 | Fax: (804) 716-9040  
[www.cablesplususa.com](http://www.cablesplususa.com)