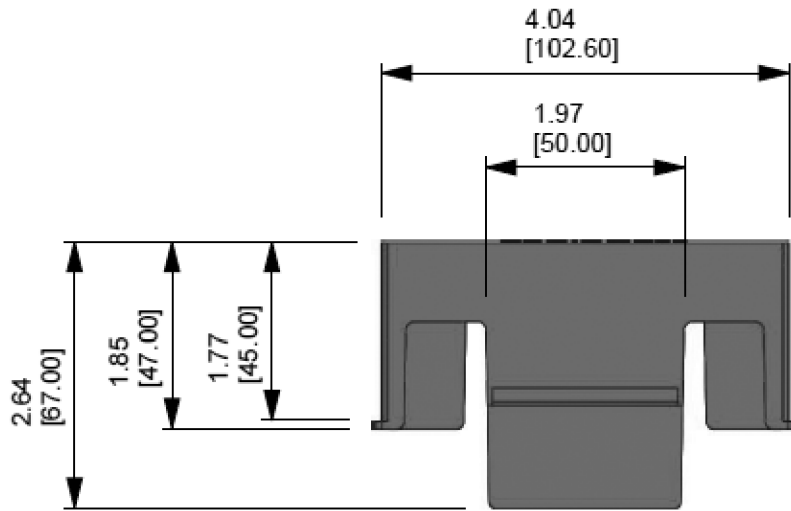
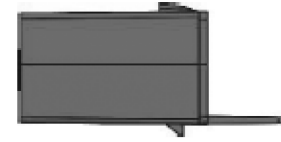
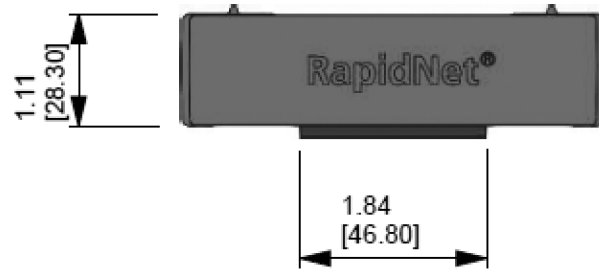


SW2014



| Revision level |                |      | Revision Record | Changed | Date      | Approved | Date      |
|----------------|----------------|------|-----------------|---------|-----------|----------|-----------|
| Drawing        | State          | Part |                 |         |           |          |           |
| 00.0           | Design Release |      | SEE ECN# 013468 | GRW     | 6/10/2016 | KAC      | 6/10/2016 |



Material  
PLASTIC

Units: **millimeters**  
 Dimension without tolerances details to:  
 .xxx = ±.013  
 .xx = ±.13  
 .x = ±.3  
 None = ±.8  
 < = ±0.5°  
 Dimension Formatted mm/[in]

The copyright of this drawing is reserved by HellermannTyton. It is issued on condition that it is not reproduced, copied, or disclosed to a third party, either wholly or in part, without the consent of HellermannTyton.

|          |     |          |
|----------|-----|----------|
| Drawn    | GRW | 6/9/2016 |
| Approved | KAC | 6/9/2016 |

**HellermannTyton**  
 North America  
 Email: corp@htamericas.com  
 Web: www.hellermann.tyton.com

|                 |  |
|-----------------|--|
| Article/Type-No | 851-40196 / RNGBLANK                         |
| Title           | <b>RAPIDNET RNG MODULAR PANEL BLANK</b>      |
| Drawing-No      | PRODUCTION : Phase<br><b>16-0408-001-CSU</b> |

Scale 1:1  
 Project Number PRP 16-0408  
 Format AH  
 Sheet 1/1