

RapidNet Fibre 12 Core

Cassette to 1 MTP Connector

Application/Product Description

The HellermannTyton RapidNet LC Cassette with rear MTP Connectivity is pre-terminated offering LC connectivity in either OM4, OM3 (multimode) or OS2 (single mode). The cassette offers 12 LC or SC connectors with 1 rear MTP connector.

The multimode solution is designed and tested to support 10Base-T (Ethernet), 100Base-T(Fast Ethernet), 1000Base-T(Gigabit Ethernet) networks. The single mode solution is designed and tested to support telecom, datacom networks and for use in high speed metropolitan and access networks.

Cable and Cassette Standards

Cable

- ISO 11801:2002 (inc. Amend. A1 & A2)
- BS EN 50173-1:2002
- IEC 60794-1
- ITU-T G.652D (OS2)
- IEC 60793-2-10 A1a.2 & A1a.3
- IEC 60793-2-50 B1.3

Cable Sheath

- IEC 60332-1
- IEC 60754-2
- IEC 61034

Cassette

- ISO 11801:2002 (inc. Amend. A1 & A2)
- BS EN 50173
- ANSI/TIA/EIA 568-C.3

Cassette Specification

No. MTP Connectors/Cassette	1			
No. of Fibres/1U	48			
No. of Fibres/ MTP Connector	12			
No. of Fibres/ Cassette	12			
Fibre Type	OM4 / OM3		OS2	
Connector Type	LC	SC	LC	SC
MTP Connector Insertion Loss (dB)	≤0.35		≤0.35	
MTP Connector Return Loss (dB)	≤20		≤60	

No. of Connectors	12			
	LC	SC	LC	SC
Connector Insertion Loss (dB)	≤0.3	≤0.3	≤0.3	≤0.3
Connector Return Loss (dB)	≤25	≤50	≤25	≤50
Mating Durability	<0.1dB typical change, 500 mating's			
Test Wavelength (nm)	850/1300		1310/1550	

Cassette Materials			
Cassette Cover	Polycarbonate ABS		
Colour	Black		
Dimensions (mm)	H	W	D
	27.0	102.0	130.0



RapidNet Fibre LC Multimode 12 Core Cassette with 1 Rear MTP Connectivity



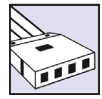
RapidNet Fibre LC Single Mode 12 Core Cassette with 1 Rear MTP Connectivity



RapidNet Fibre SC Multimode 12 Core Cassette with 1 Rear MTP Connectivity

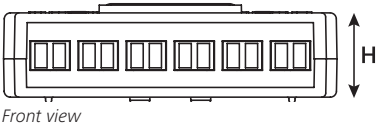


RapidNet Fibre SC Single Mode 12 Core Cassette with 1 Rear MTP Connectivity

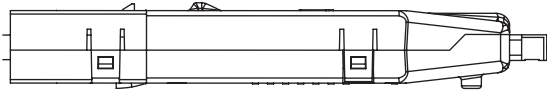


Technical Diagrams

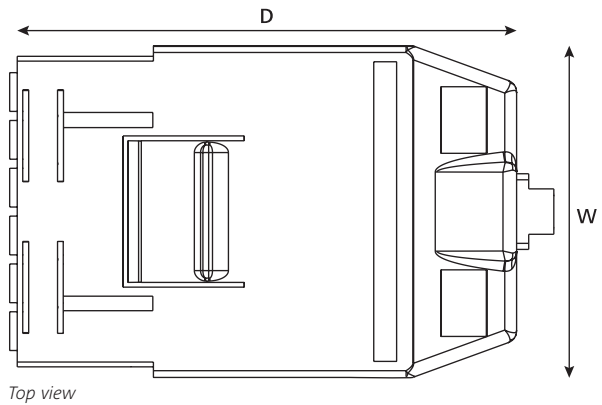
12 Core LC Cassette with 1 Rear MTP Connectivity



Front view

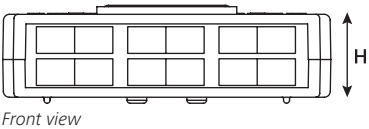


Side view

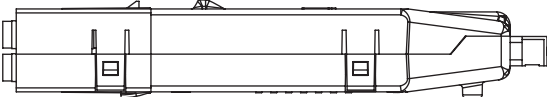


Top view

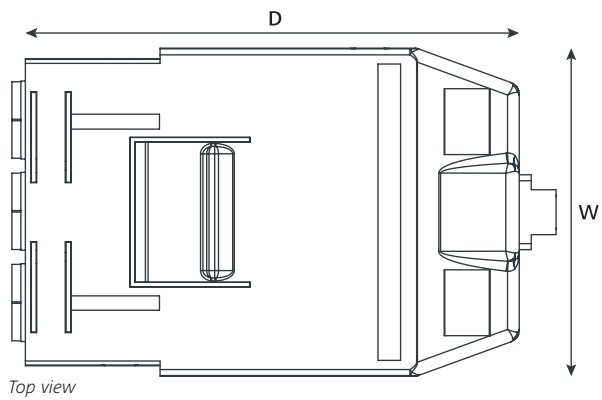
12 Core SC Cassette with 1 Rear MTP Connectivity



Front view



Side view



Top view