

Series AVC

Handheld and lightweight.

- Non-reflective black matte finish is standard.
- Optional storage drum extension, specify "DE" when ordering.
- Equipped with one durable rubber twist tie for cable ends. "DE" models equipped with two ties.
- Adjustable cam-lock drag brake.

AVC16-10-11

- Crank handle permanently attached to the disc.

AVC16-14-16 and AVC 20-14-16

- Direct crank rewind.
- Optional pin lock available.



AVC16-10-11
Standard configuration shown



AVC16-10-11-DE
With optional drum extension



The frame style on the AVC Series is a flexible modular design, the carry handle and the frame legs can be easily replaced in the event of damage. It is also possible to upgrade the carry handle to an optional ergonomic handle.



AVC16-14-16-DE
With optional drum extension and ergonomic handle



AVC20-14-16-DE
With optional drum extension

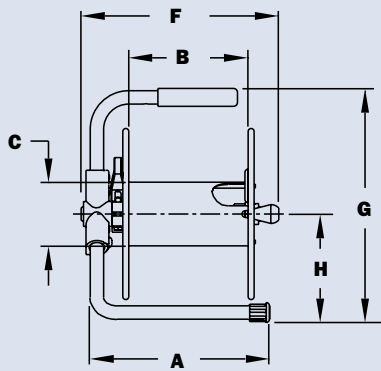


AVC Series includes one durable rubber twist tie for cable ends. "DE" models equipped with two.
Part No. 9949.0082

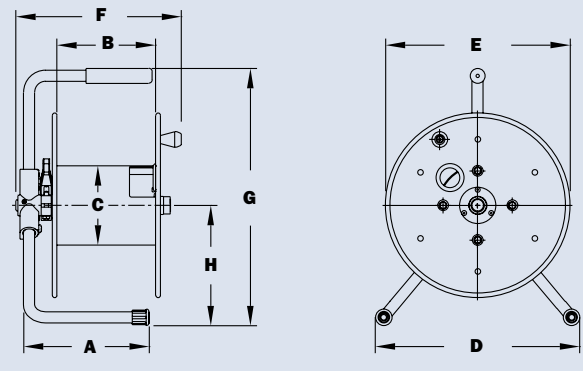
Series AVC

PARTS DRAWING – AVC16-10-11-ISO 88, AVC16-14-16/AVC20-14-16-ISO 121

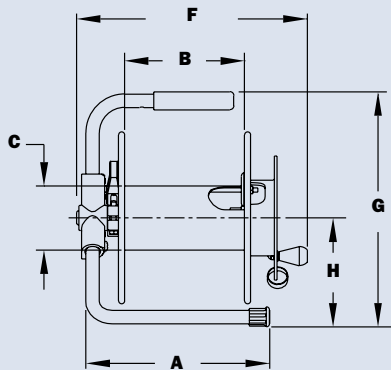
Model Number	Cable Capacity of Reel feet m								Approx. Weight without cable lb. kg			Reel Dimensions in. mm								
	O.D. (in) O.D. (mm)	.25 6	.32 8	.38 10	.41 10	.45 11	.49 12	.58 15	.67 17	NET	UPS/ FedEx. SHIP Wt.	Freight SHIP Wt.	A	B	C	D	E	F	G	H
AVC16-10-11	600	350	225	200	150	125	-	-	10	20*	12	11.5	7.5	4	11.5	10.75	12.75	14.75	6.88	
	183	107	69	61	46	38	-	-	5	9	6	292	191	102	292	273	324	375	175	
AVC16-14-16	1100	600	450	350	275	250	125	100	17	46*	21	11	7.5	6	15.5	14	12.75	19.25	8.62	
	335	183	137	107	84	76	58	30	8	21	10	279	191	152	394	356	324	489	219	
AVC20-14-16	1700	950	725	600	450	425	250	175	18	58*	23	15.5	12	6	15.5	14	16.75	19.25	8.62	
	518	290	221	183	137	130	76	53	8	26	10	394	305	152	394	356	425	489	219	
AVC16-10-11-DE	600	350	225	200	150	125	-	-	10	20*	12	11.5	7.5	4	11.5	10.75	14.25	14.75	6.88	
	183	107	69	61	46	38	-	-	5	9	6	292	191	102	292	273	362	375	175	
AVC16-14-16-DE	1100	600	450	350	275	250	125	100	17	46*	21	11	7.5	6	15.5	14	14.25	19.25	8.62	
	335	183	137	107	84	76	58	30	8	21	10	279	191	152	394	356	362	489	219	
AVC20-14-16-DE	1700	950	725	600	450	425	250	175	18	58*	23	15.5	12	6	15.5	14	18.75	19.25	8.62	
	518	290	221	183	137	130	76	53	8	26	10	394	305	152	394	356	476	489	219	



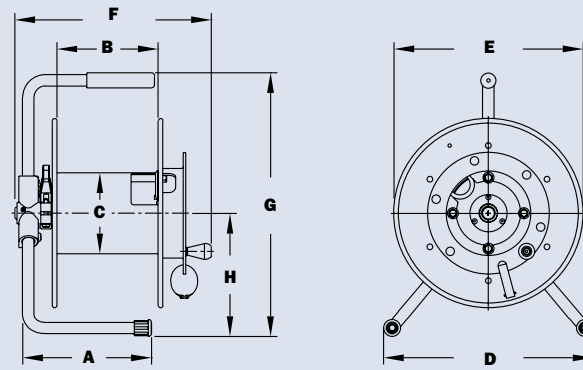
AVC16-10-11



AVC16-14-16/AVC20-14-16



AVC16-10-11-DE



AVC16-14-16-DE/AVC20-14-16-DE

Notes:

1. Specifications subject to change.
 2. **Be sure to check dimensions and weights prior to ordering.**
- *Dimensional weight applies when shipped as a parcel package (via FedEx or UPS Ground).