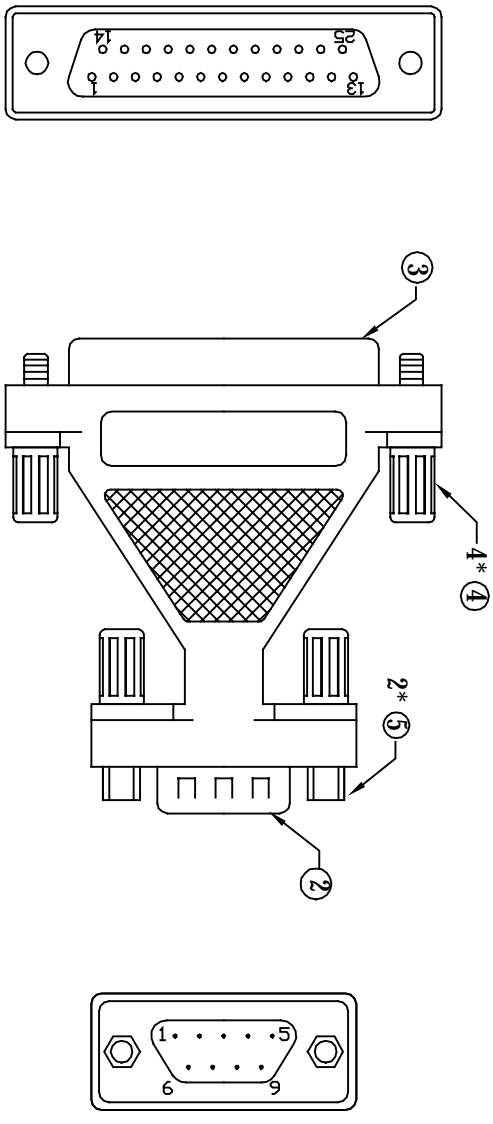


REVISIONS		
REV	DESCRIPTION	APPROVED



A
FEMALE

B
MALE

NOTES:
 1.MOLDED CONNECTOR END REQUIREMENTS:
 AINNER MOLD USING PE
 BALUMINUM FOIL WRAP TO CONNECTOR
 CPVC - 45P PLATINUM GRAY

PIN		OUTS	
A		B	
DB 25 FEMALE		DB 9	MALE
8	_____	1	_____
3	_____	2	_____
2	_____	3	_____
20	_____	4	_____
7	_____	5	_____
6	_____	6	_____
4	_____	7	_____
5	_____	8	_____
22	_____	9	_____
Shell	_____	Shell	_____

ITEM NO	DESCRIPTION	QTY	REMARK
1	INSULATION: UPON 1M ohm AND 1M ohm ELECTRIC CONDUCTION:INSIDE 1.5K ohm	2PCS	
2	(SCREW)/NUT:4.75*6mm NICKEL-PLATING	4PCS	
3	THUMBSCREW: MALE 4*22mm NICKEL-PLATING	1PCS	
4	CONNECTOR:DB25P FEMALE NICKEL-PLATING, INSULATOR COLOR:BLUE	1PCS	
5	CONNECTOR:DB9P MALE NICKEL-PLATING, INSULATOR COLOR:BLUE	10PCS	

JDI TECHNOLOGIES		PRODUCT		VERSION		DRAWN DATE		APPROVERD		THREE ANGLE PROJECTION	
DR,ND	SD313	DB9P MALE TO DB25P FEMALE ADAPTER	313	CUS,ND	313	DRAWN	HYON .W	CHECKED	JACKSON GANG		