

ER-1

19" headend equipment rack - 71" height

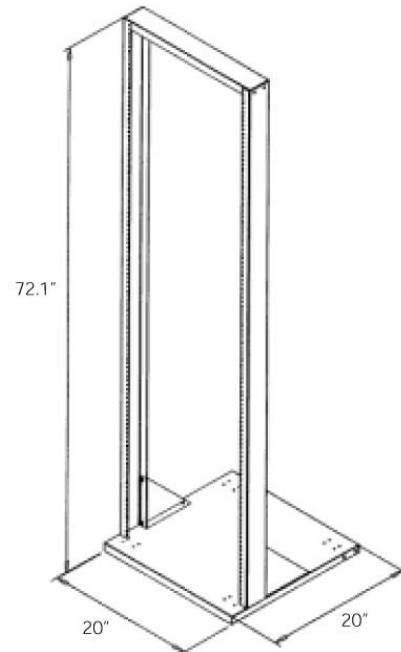
Product Features:

- rail height - 71"
- EIA compliant
- 40 rack spaces
- standard 10 - 32 threading
- includes 32 rack screws
- steel construction
- black static resistant powder coat finish

Product Specifications:

(for Architects & Engineers)

The headend equipment rack shall be the Video Mount Products (VMP) model ER-1. The rack shall be capable of accommodating standard 19" racking equipment. The rack channels shall be tapped with 10-32 holes in universal E.I.A. spacing. The rack shall have 40 rack spaces. The rack shall include 32 rack screws. The rack shall be painted with a durable black powder coat finish.



Available from: