

# ER-8RSA

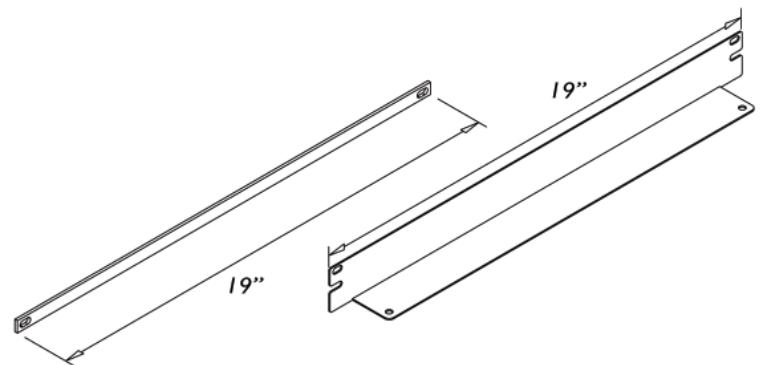
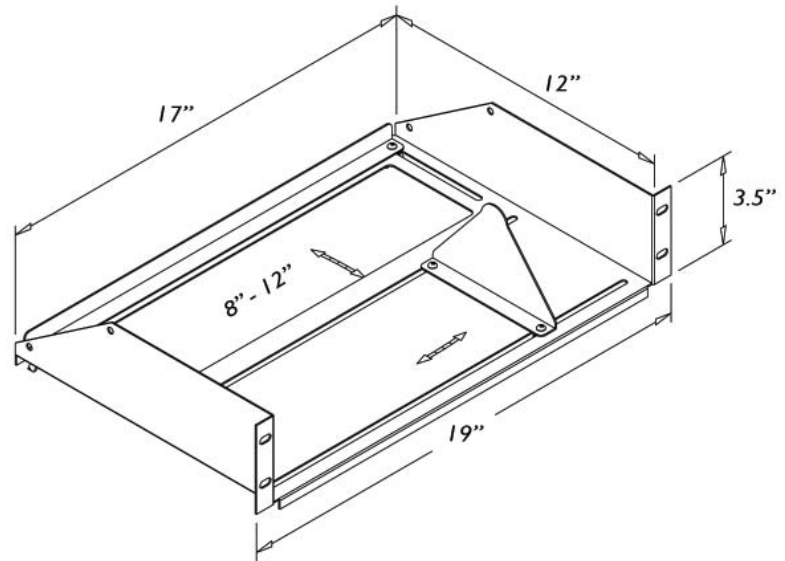
*adjustable 8 receiver rack shelf*

## Product Features:

- accommodates up to eight receivers
- adjusts left to right and front to back
- includes front and top anti-roll bars
- black powder coat finish
- load capacity - 50 lbs
- includes 10-32 and 12-24 rack screws
- patent pending

## Product Specifications: *(for Architects & Engineers)*

The equipment rack shelf shall be the Video Mount Products (VMP) model ER-8RSA. The shelf shall be compatible with standard 19" equipment racks without modification. The shelf shall fit all components up to 17.375" in width. The shelf shall include front and top anti-roll bars and 7 shelf dividers. The shelf shall be painted with a durable black powder coat finish. The load capacity shall be 50 lbs.



Available from: