

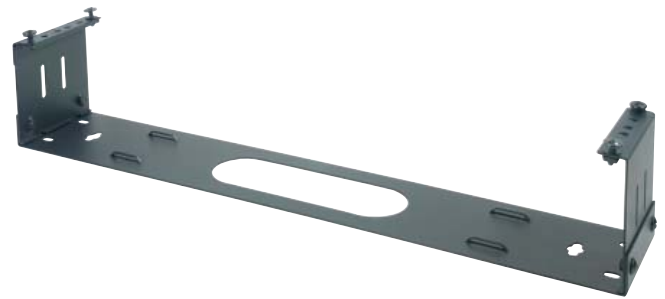
ER-HWB2

hinged wall bracket - 2 space

Available from:
CablesPlus
U ★ S ★ A
Cables Plus, LLC
8504 Glazebrook Ave Richmond, VA 23228 – Toll Free (866) 678-5852
www.CablesPlusUSA.com

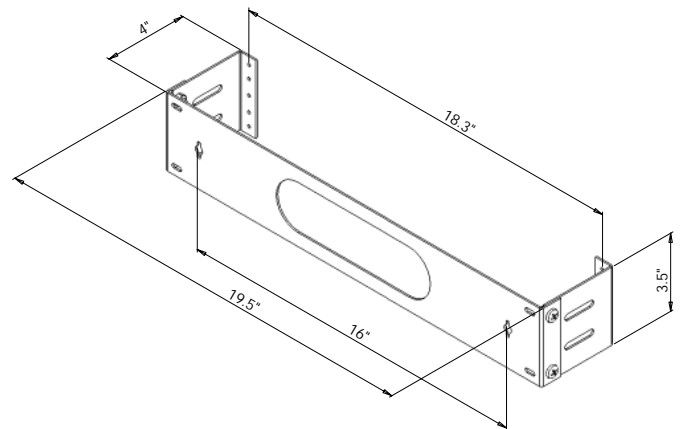
Product Features:

- provides easy access to the back of panels
- right or left hand opening
- depth - 4"
- includes 10 - 32 and 12 - 24 rack screws
- black static resistant powder coat finish



Product Specifications: *(for Architects & Engineers)*

The hinged wall bracket for the equipment rack shall be the Video Mount Products (VMP) model ER-HWB2. The bracket shall be compatible with standard 19" equipment racks without modification. The bracket shall be 4" in depth and be able to open right or left handed. The bracket shall be painted with a durable static resistant black powder coat finish.



Available from:
CablesPlus
U ★ S ★ A

Cables Plus, LLC
8504 Glazebrook Ave Richmond, VA 23228 – Toll Free (866) 678-5852
www.CablesPlusUSA.com