

Available from:

CablesPlus

U ★ S ★ A

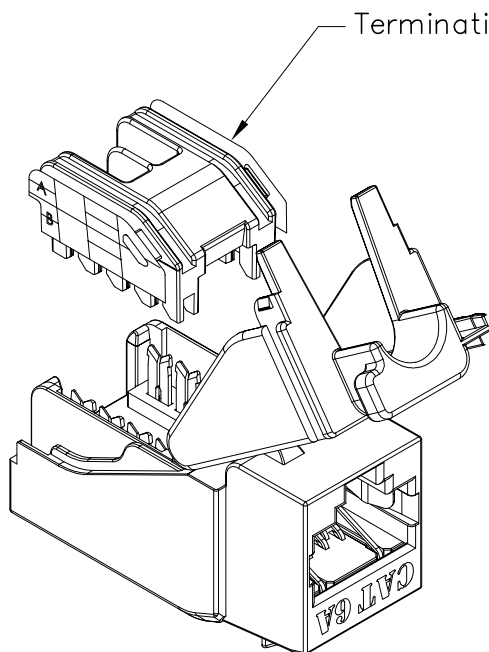
Cables Plus, LLC

8504 Glazebrook Ave Richmond, VA 23228 ~ Toll Free (866) 678-5852

www.CablesPlusUSA.com

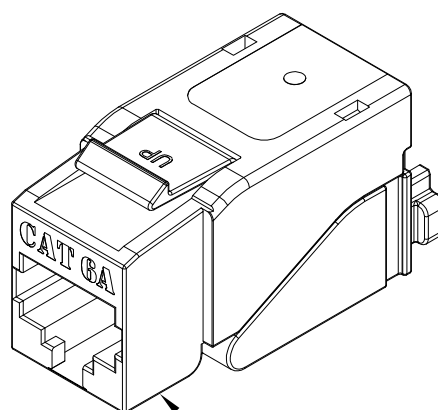
Category 6A Shielded Modular Connector

PRODUCT SPECIFICATION



Package includes:

- A. Category 6A Shielded Modular Connector, 1 pc
- B. Wire Termination Cap, 1 pc
- C. Cable Tie, 1 pc



Features and Benefits:

- CAT 6A shielded connectors provide excellent performance for data networks requiring maximum speed and bandwidth.
- Lead frame technology provides maximum performance and uninterrupted signal integrity.
- Enhanced crosstalk cancellation reduces return loss and improves performance by rejecting noise and unwanted signals.
- Exceeds TIA 568-B.2-10 Category 6A connecting hardware requirements.
- Engineered to provide wire termination cap for a quick and easy termination.
- Shielded housing provides against electro-magnetic interference (EMI).
- Compatible with TIA-568A/B wiring diagram.
- Ideal for 22~24AWG
- UL listed.

MODULE, CAT 6A, FTP

ITEM NO.	IC1078S6A0	REV.	B
DWG NO.	PS1078S6A0	PAGE NO.	1



Available from:

CablesPlus

U ★ S ★ A

Cables Plus, LLC

8504 Glazebrook Ave Richmond, VA 23228 ~ Toll Free (866) 678-5852

www.CablesPlusUSA.com

Available from:

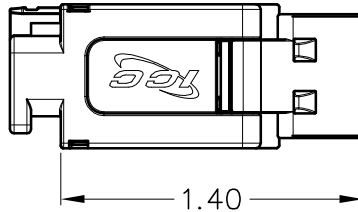
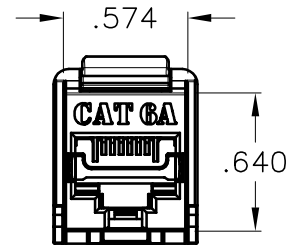
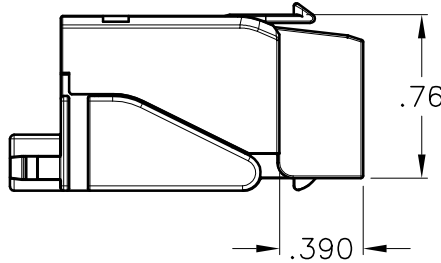
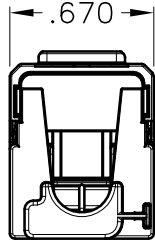
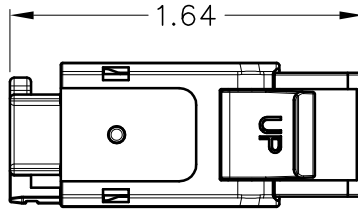
CablesPlus

U * S * A

Cables Plus, LLC

8504 Glazebrook Ave Richmond, VA 23228 ~ Toll Free (866) 678-5852

www.CablesPlusUSA.com



NOTE: UNLESS OTHERWISE SPECIFIED

1. CAT6A FTP MODULAR CONNECTOR:

A. ENVIRONMENTAL CONDITIONS:

- TEMPERATURE RANGE
- STORAGE:-40 TO +70°C, OPERATIONAL:-10 TO +60°C
- RELATIVE HUMIDITY (OPERATIONAL): MAXIMUM NONCONDENSING 93%

B. ELECTRICAL:

- INSULATION RESISTANCE: 500 MEGAOHM MIN
- CONTACT RESISTANCE: 20 MILLIOHM MAX
- DIELECTRIC WITHSTANDING VOLTAGE: 1,000 VOLTS D.C., 60 HZ, 1 MIN

C. MECHANICAL:

- TOTAL CONTACT FORCE: 800 GRAM FOR 8 WIRE LEADS MINIMUM
- RETENTION: 50N (11 LBF) FOR 60S±5S
- INSERTION LIFE: 750 CYCLES MIN

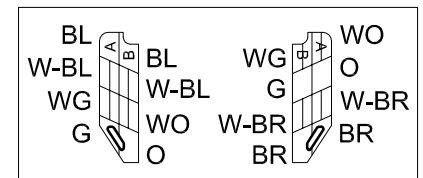
D. PHYSICAL:

- HOUSING: ZINC-ALLOY FULLY SHIELDED
- SPRING WIRE: PHOSPHOR BRONZE ALLOY PLATED WITH 50 MICRO-INCH OF GOLD OVER 70~100 MICRO-INCH OF NICKEL

2. WIRE TERMINATION CAP: ABS

3. IDC WIRE GAUGE: 22~24 AWG

WIRING LABEL



MODULE, CAT 6A, FTP

ITEM NO. IC1078S6A0
 DWG NO. PS1078S6A0

REV. B
 PAGE NO. 2



Available from:

CablesPlus

U * S * A

Cables Plus, LLC
 8504 Glazebrook Ave Richmond, VA 23228 ~ Toll Free (866) 678-5852

www.CablesPlusUSA.com