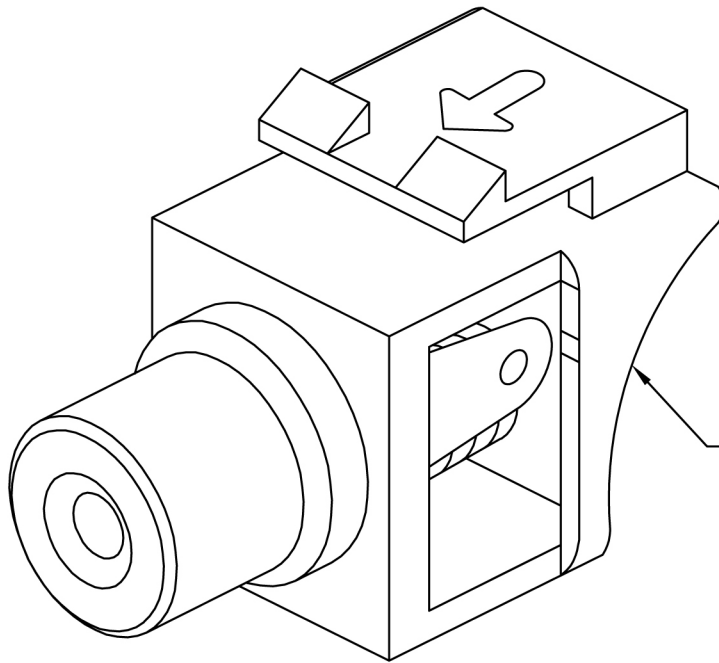


RCA Female-to-Solder Tail Module

PRODUCT SPECIFICATION

Package includes:

A. RCA Female-to-Solder Tail Module, 1 pc



— RCA Female-to-Solder Tail Module

Features and Benefits:

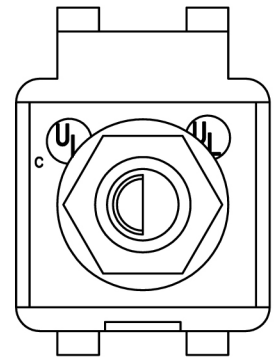
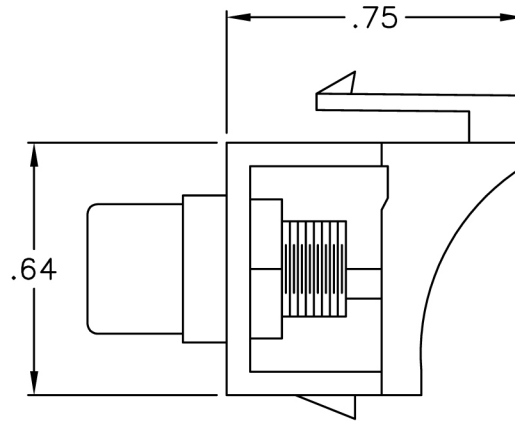
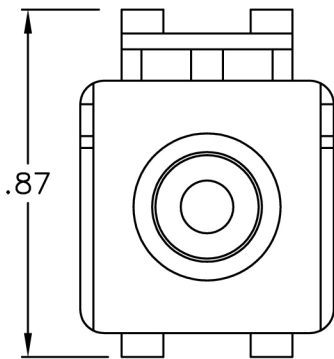
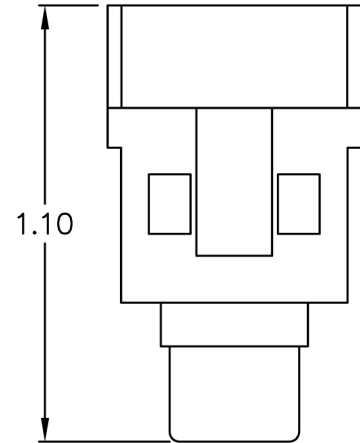
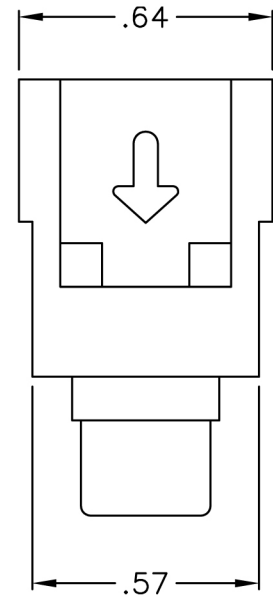
- Gold plating for improved performance with superior signal quality with minimal noise
- Used for audio and video applications
- Accepts up to 16 AWG wire
- Available with black insulator
- Provides a clean and neat appearance installation
- Compatible with all IC107 faceplates, inserts, surface mount boxes, and blank patch panels
- Compatible with all IC108 furniture faceplates, bezels, and surface mount boxes
- Available in almond, ivory, and white
- UL listed

MODULE, RCA SOLDER TAIL

ITEM NO.	IC107B7GXX
DWG NO.	PS107B7G00

REV.	B
PAGE NO.	1





NOTE: UNLESS OTHERWISE SPECIFIED

1. HOUSING:

- A. MATERIAL: ABS, UL 94V-0
- B. COLOR: XX = AL-ALMOND, IV-IVORY, & WH-WHITE

2. RCA FEMALE-TO-SOLDER TAIL CONNECTOR:

- A. MATERIAL: BRONZE WITH 3 MICRON GOLD PLATING
- C. INSULATOR COLOR: BLACK

3. ELECTRICAL:

- A. CONTACT RESISTANCE: 30m OHM MAX
- B. INSULATION RESISTANCE: 100M OHM MIN @ DC 500V
- C. DIELECTRIC STRENGTH: AC 500V FOR ONE MINUTE

cUL US FILE NO. 125268

MODULE, RCA SOLDER TAIL

ITEM NO. IC107B7GXX
 DWG NO. PS107B7G00

REV. B
 PAGE NO. 2

