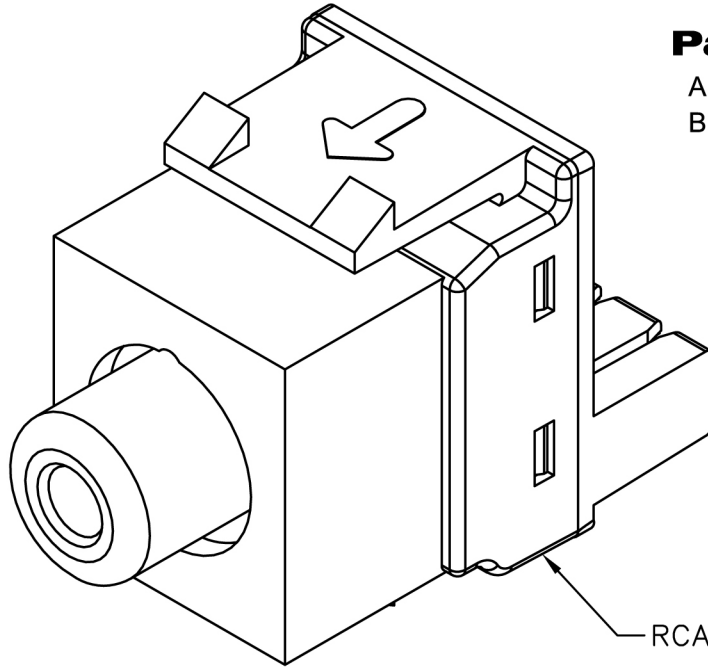


# RCA Female-to-IDC Module

## PRODUCT SPECIFICATION



### Package includes:

- A. RCA Female-to-IDC Module, 1 pc
- B. Installation Instructions, 1 sheet

— RCA Female-to-IDC Module

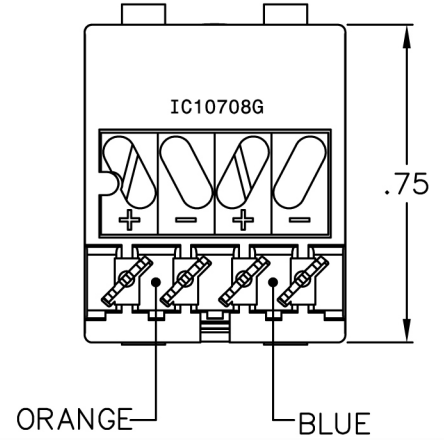
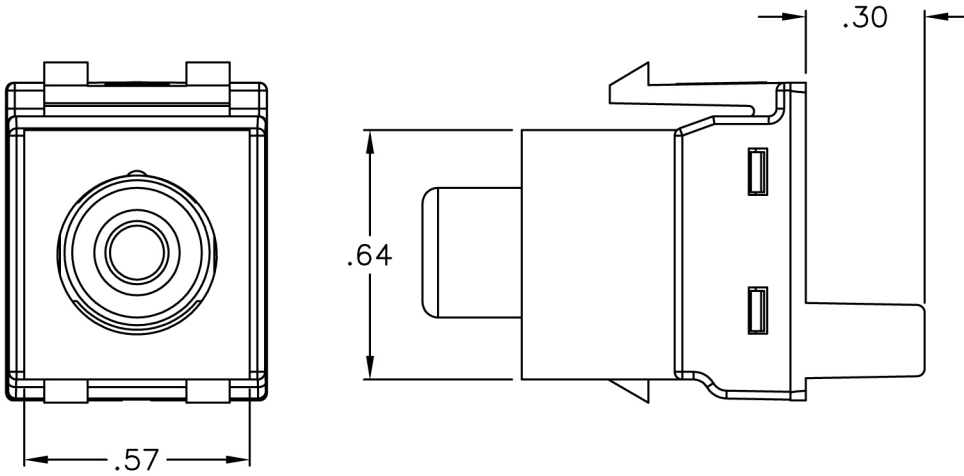
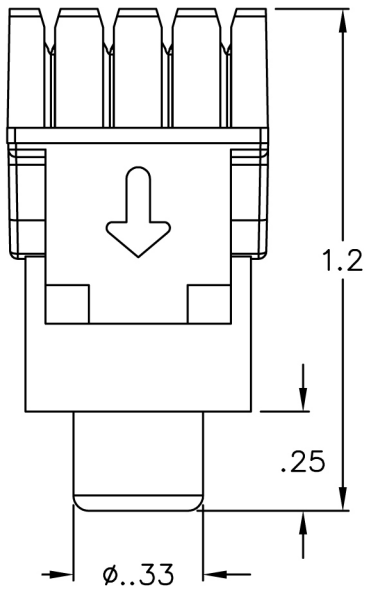
### Features and Benefits:

- Gold plating for improved performance with superior signal quality with minimal noise
- Used for audio and video applications
- Designed for twisted pairs using the popular and easy 110 IDC termination, eliminating the need for soldering on the rear side
- Colored insulators providing for quick and easy identification of the type of signal carried on the circuit, making it easy to separate audio and video signals
- Available with black, blue, green, red, white, and yellow insulators
- Provides a clean and neat appearance installation
- Compatible with all IC107 faceplates, inserts, surface mount boxes, and blank patch panels
- Compatible with all IC108 furniture faceplates, bezels, and surface mount boxes
- Used with ICC 110 punch down tool ICACSPDT00
- Housing color available in almond, black, ivory, and white
- Installation instructions #MSR-0305 included

### MODULE, RCA IDC

ITEM NO.	IC107Z8GXX	REV.	B
DWG NO.	PS10708G00	PAGE NO.	1





**NOTE: UNLESS OTHERWISE SPECIFIED**

1. HOUSING:

- A. MATERIAL: ABS, UL 94V-0
- B. COLOR: XX: AL-ALMOND, BK-BLACK, IV-IVORY, & WH-WHITE

2. CONNECTOR:

- A. BODY: BRASS WITH FLASH GOLD PLATING
- B. INSULATION: PP
- C. CONTACT: BRASS WITH NICKEL PLATING

3. ELECTRICAL:

- A. CONTACT RESISTANCE: 30M OHM MAX.
- B. INSULATION RESISTANCE: 100M OHM MIN @ 500V DC
- C. DIELECTRIC STRENGTH: 500 VOLTS FOR ONE MINUTE

**MODULE, RCA IDC**

ITEM NO. IC107Z8GXX  
 DWG NO. PS10708G00

REV. B  
 PAGE NO. 2

