

Available from:

CablesPlus

U ★ S ★ A

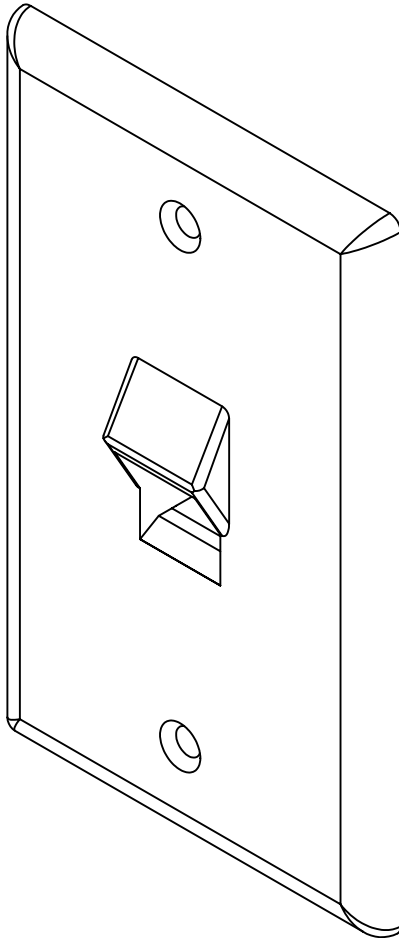
Cables Plus, LLC

8504 Glazebrook Ave Richmond, VA 23228 ~ Toll Free (866) 678-5852

www.CablesPlusUSA.com

1-Port Single Gang Angled Faceplate

PRODUCT SPECIFICATION



Package includes:

- A. 1-Port Single Gang Angled Faceplate, 1 pc
- B. #6-32 x 3/4" Oval Head, Countersink Machine Screw, 2 pcs

1-Port Angled Faceplate

Features and Benefits:

- Configured to fit standard single gang outlet box
- Designed to support the distribution of voice, data, and other communication needs to the work area for commercial or residential applications
- Rugged and durable construction
- Angled opening provides for a low profile and strain relief
- Accommodates a wide variety of easy to snap-in modules, providing configuration flexibility
- Accepts all IC107 modules
- Available in almond, ivory, and white
- UL listed

FACEPLATE, ANGLED, 1-GANG, 1-PORT

ITEM NO. IC107DA1XX

REV. A

DWG NO. PS107DA100

PAGE NO. 1



Available from:

CablesPlus

U ★ S ★ A

Cables Plus, LLC

8504 Glazebrook Ave Richmond, VA 23228 ~ Toll Free (866) 678-5852

www.CablesPlusUSA.com

Available from:

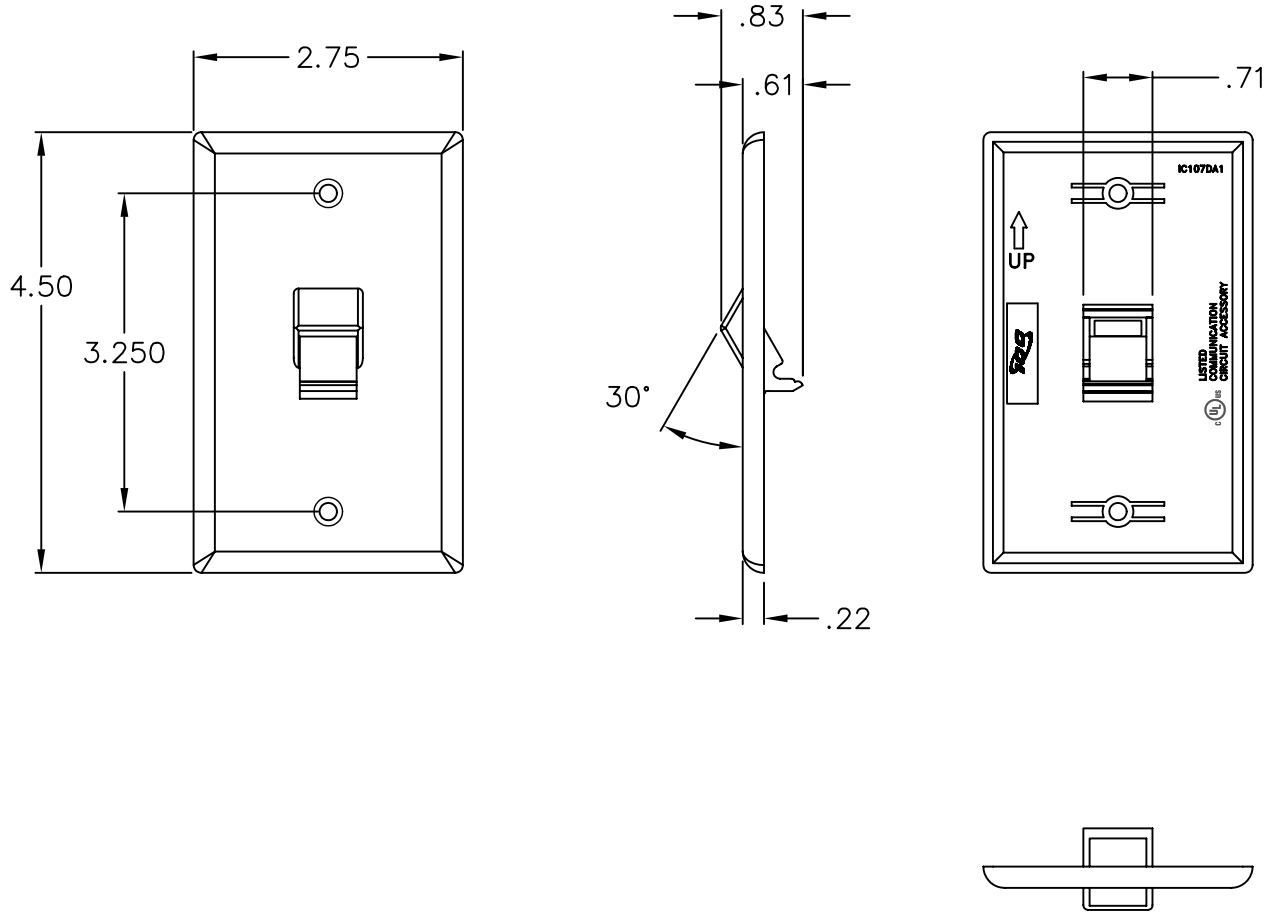
CablesPlus

U ★ S ★ A

Cables Plus, LLC


8504 Glazebrook Ave Richmond, VA 23228 ~ Toll Free (866) 678-5852

www.CablesPlusUSA.com



NOTE: UNLESS OTHERWISE SPECIFIED

1. MATERIAL: ABS, UL 94V-0
2. FINISH: TEXTURE
3. COLOR: XX: AL-ALMOND, IV-IVORY, & WH-WHITE

FACEPLATE, ANGLED, 1-GANG, 1-PORT		 PremiumProducts ProvenPerformance CompetitivePrices	
ITEM NO.	IC107DA1XX	REV.	A
DWG	PS107DA100	PAGE NO.	2

Available from:

CablesPlus

U ★ S ★ A

Cables Plus, LLC
 8504 Glazebrook Ave Richmond, VA 23228 ~ Toll Free (866) 678-5852

www.CablesPlusUSA.com