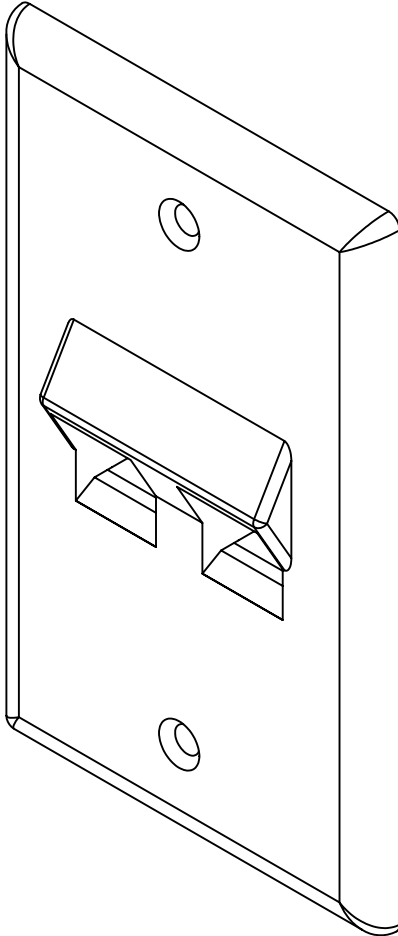


# 2-Port Single Gang Angled Faceplate

## PRODUCT SPECIFICATION



### Package includes:

- A. 2-Port Single Gang Angled Faceplate, 1 pc
- B. #6-32 x 3/4" Oval Head, Countersink Machine Screw, 2 pcs

2-Port Angled Faceplate

### Features and Benefits:

- Configured to fit standard single gang outlet box
- Designed to support the distribution of voice, data, and other communication needs to the work area for commercial or residential applications
- Rugged and durable construction
- Angled opening provides for a low profile and strain relief
- Accommodates a wide variety of easy to snap-in modules, providing configuration flexibility
- Accepts all IC107 modules
- Available in almond, ivory, and white
- UL listed

### FACEPLATE, ANGLED, 1-GANG, 2-PORT

ITEM NO. IC107DA2XX

REV. A

DWG NO. PS107DA200

PAGE NO. 1



Available from:

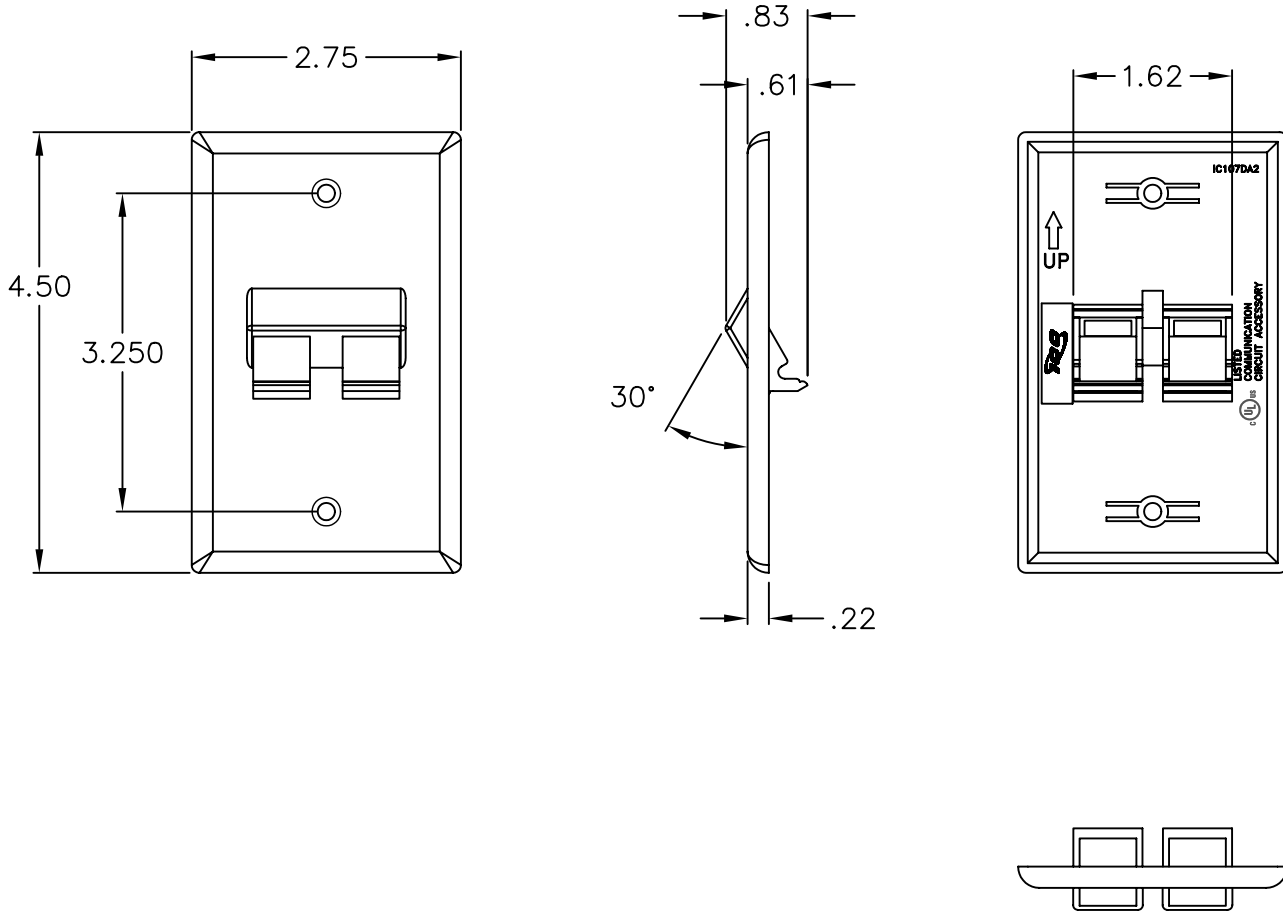
# CablesPlus

U ★ S ★ A

Cables Plus, LLC


8504 Glazebrook Ave Richmond, VA 23228 ~ Toll Free (866) 678-5852

www.CablesPlusUSA.com



**NOTE: UNLESS OTHERWISE SPECIFIED**

1. MATERIAL: ABS, UL 94V-0
2. FINISH: TEXTURE
3. COLOR: XX: AL-ALMOND, IV-IVORY, & WH-WHITE

<b>FACEPLATE, ANGLED, 1-GANG, 2-PORT</b>		 PremiumProducts ProvenPerformance CompetitivePrices	
ITEM NO.	IC107DA2XX		REV. A
DWG NO	PS107DA200		PAGE NO. 2

Available from:

# CablesPlus

U ★ S ★ A

Cables Plus, LLC  
 8504 Glazebrook Ave Richmond, VA 23228 ~ Toll Free (866) 678-5852

www.CablesPlusUSA.com