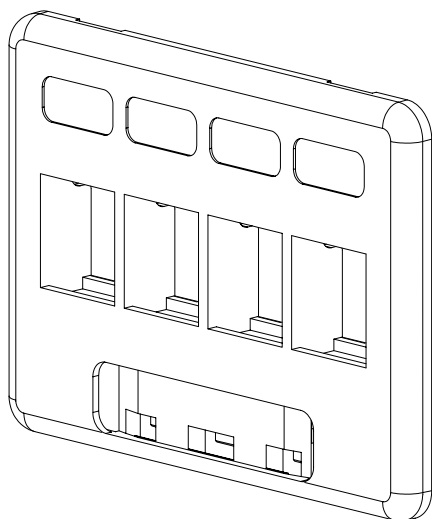


# 4-Port NEMA Furniture Faceplate

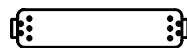
## PRODUCT SPECIFICATION

### Package includes:

- A. 4-Port NEMA Furniture Faceplate, 1 pc
- B. Clear Label Cover, 1 pc
- C. Paper Label, 1 pc
- D. EPDM Foam Rubber, 1 pc



4-Port NEMA Furniture Faceplate



Clear Label Cover

### Features and Benefits:

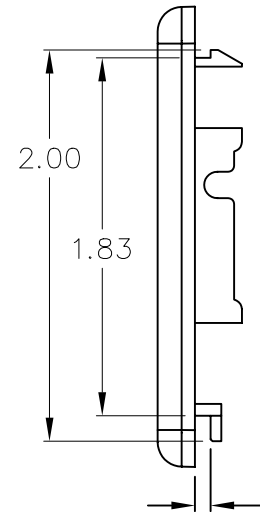
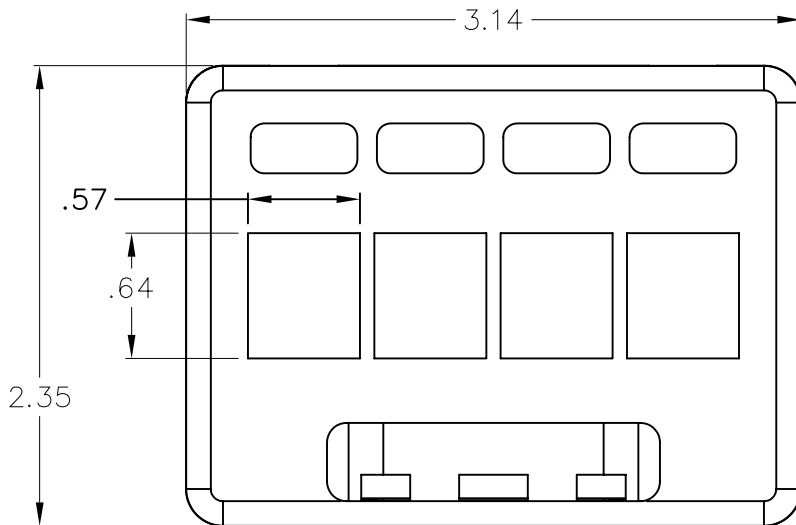
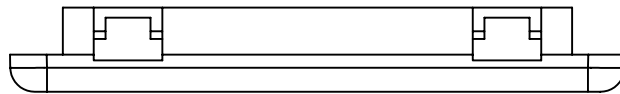
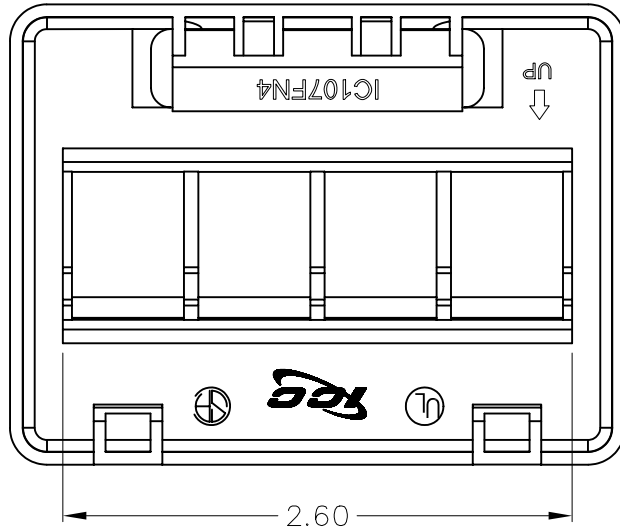
- Provides connectivity at the workstation creating a modern appearance with an easy to use identification scheme in modular furniture environments
- Designed to support the distribution of voice, data, and other communication needs to the work area
- Ideal for use in high density applications with more connectivity in less space
- NEMA opening with snap in design seamlessly integrates into most popular modular furniture systems; including Herman Miller, Knoll, Hayworth, Steelcase, and many others
- Rugged and durable construction
- Accommodates a wide variety of easy to snap-in modules, providing configuration flexibility
- Accepts all IC107 HD modules
- Available in black, gray, ivory, and white
- UL listed

### FACEPLATE, FURNITURE, NEMA, 4-PORT

ITEM NO.	IC107FN4XX
DWG NO.	PS107FN400


REV.	A
PAGE NO.	1





**NOTE: UNLESS OTHERWISE SPECIFIED**

1. MATERIAL: ABS, UL 94V-0
2. SURFACE FINISHING: TEXTURE
3. COLOR: XX: BK-BLACK, GY-GRAY, IV-IVORY, & WH-WHITE

<b>FACEPLATE, FURNITURE, NEMA, 4-PORT</b>		 <i>PremiumProducts</i> <i>ProvenPerformance</i> <i>CompetitivePrices</i>	
ITEM NO.	IC107FN4XX		REV. A
DWG NO.	PS107FN400		PAGE NO. 2