

Available from:

CablesPlus

U ★ S ★ A

Cables Plus, LLC

8504 Glazebrook Ave Richmond, VA 23228 ~ Toll Free (866) 678-5852

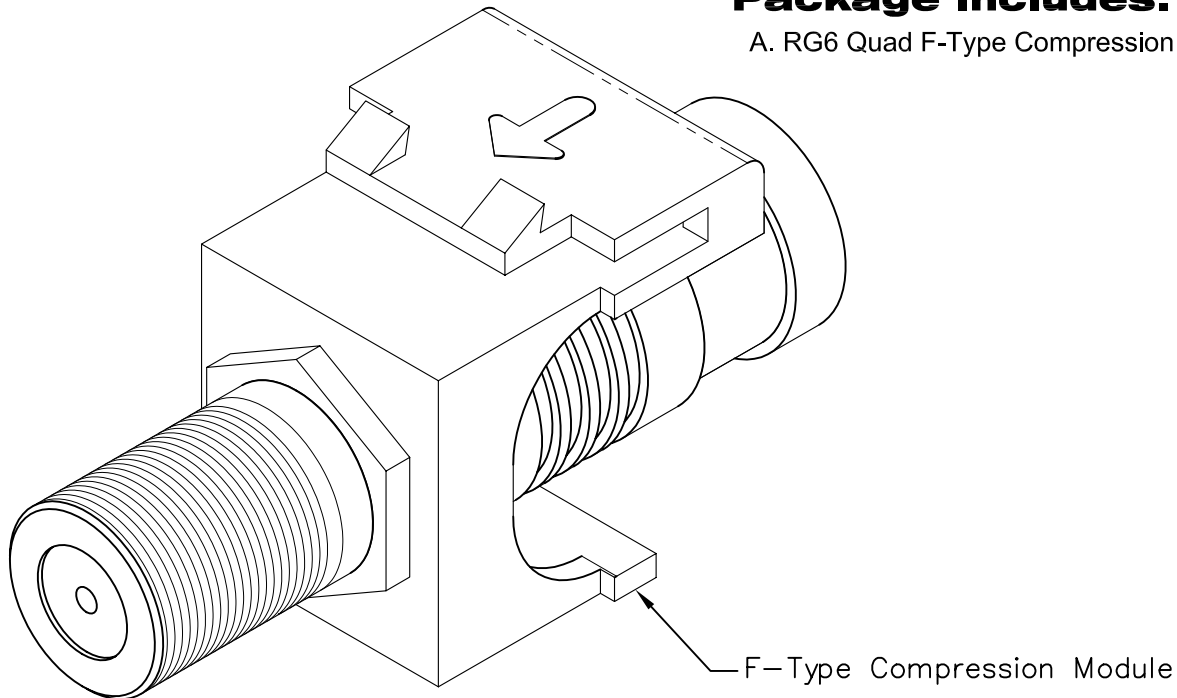
www.CablesPlusUSA.com

RG6 Quad F-Type Compression Module

PRODUCT SPECIFICATION

Package includes:

A. RG6 Quad F-Type Compression Module, 1 pc



Features and Benefits:

- Improved performance and minimized signal loss by combining the compression connector and module into one single body
- Designed for RG6 quad shield coaxial cables on the rear side to provide high definition video and superior quality audio performance
- Provides a clean and neat appearance installation
- Compatible with all IC107 faceplates, inserts, surface mount boxes, and blank patch panels
- Compatible with all IC108 furniture faceplates, bezels, and surface mount boxes
- Used with ICC RG6 F-Type ICPCSF patch cords and universal compression tool ICACST01U
- Available in white

MODULE, CRIMP, F-TYPE, RG6Q

ITEM NO.	IC107FQGXX
DWG NO.	PS107FQG00

REV.	A
PAGE NO.	1

ICC
Premium Products
Proven Performance
Competitive Prices

Available from:

CablesPlus

U ★ S ★ A

Cables Plus, LLC
8504 Glazebrook Ave Richmond, VA 23228 ~ Toll Free (866) 678-5852

www.CablesPlusUSA.com

Available from:

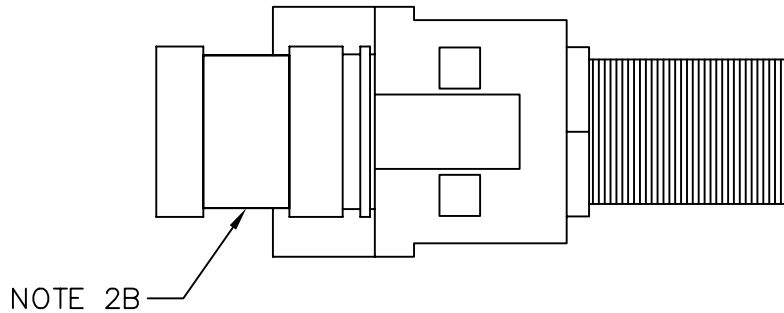
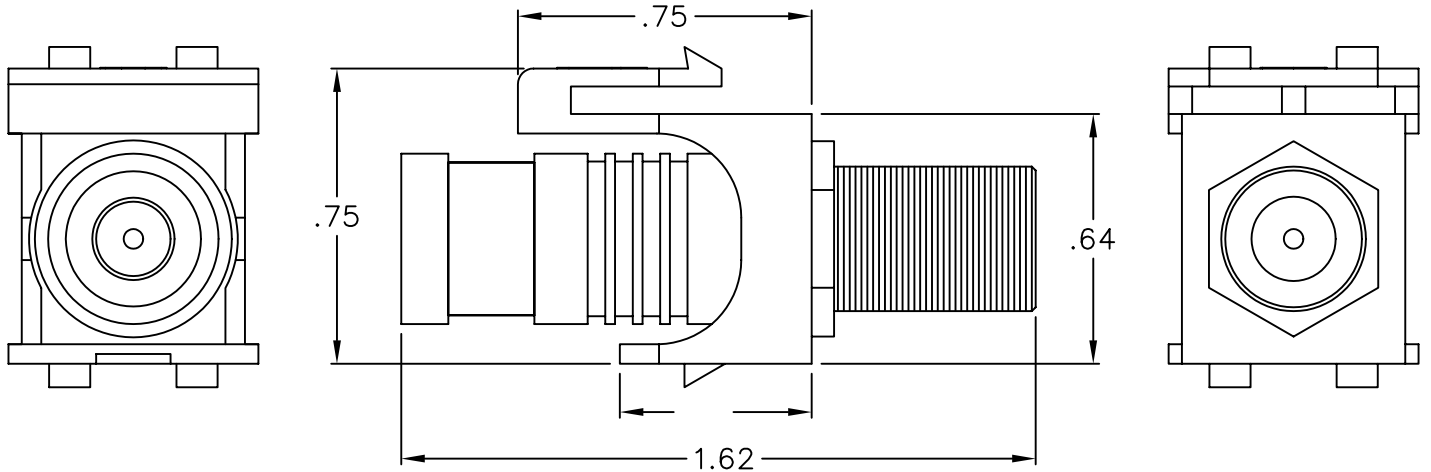
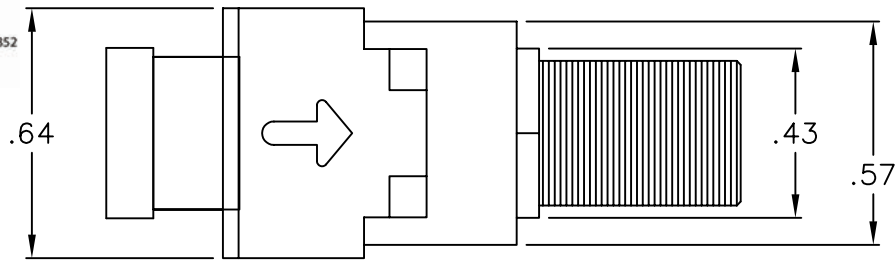
CablesPlus

U * S * A

Cables Plus, LLC


8504 Glazebrook Ave Richmond, VA 23228 ~ Toll Free (866) 678-5852

www.CablesPlusUSA.com



NOTE: UNLESS OTHERWISE SPECIFIED

- 1. HOUSING:
 - A. MATERIAL: ABS, UL 94V-0
 - B. COLOR: XX: WH-WHITE
- 2. F-TYPE COMPRESSION CONNECTOR:
 - A. MATERIAL: BRASS AND NICKEL FINISH
 - B. BAND COLOR: BLUE
- 3. MECHANICAL:
 - A. CABLE APPLICATION: <20 LBS MAX INSERTION
 - B. EQUIPMENT INTERFACE: >10 MATINGS WITHOUT DAMAGE
 - C. PULL FORCE: >40 LBS

MODULE, CRIMP, F-TYPE, RG6Q		 <i>PremiumProducts</i> <i>ProvenPerformance</i> <i>CompetitivePrices</i>	
ITEM NO.	IC107FQGXX		REV. A
DWG NO.	PS107FQG00		PAGE NO. 2

Available from:

CablesPlus

U * S * A

Cables Plus, LLC

8504 Glazebrook Ave Richmond, VA 23228 ~ Toll Free (866) 678-5852

www.CablesPlusUSA.com