

Available from:



U S A

Cables Plus, LLC

8504 Glazebrook Ave Richmond, VA 23228 ~ Toll Free (866) 678-5852

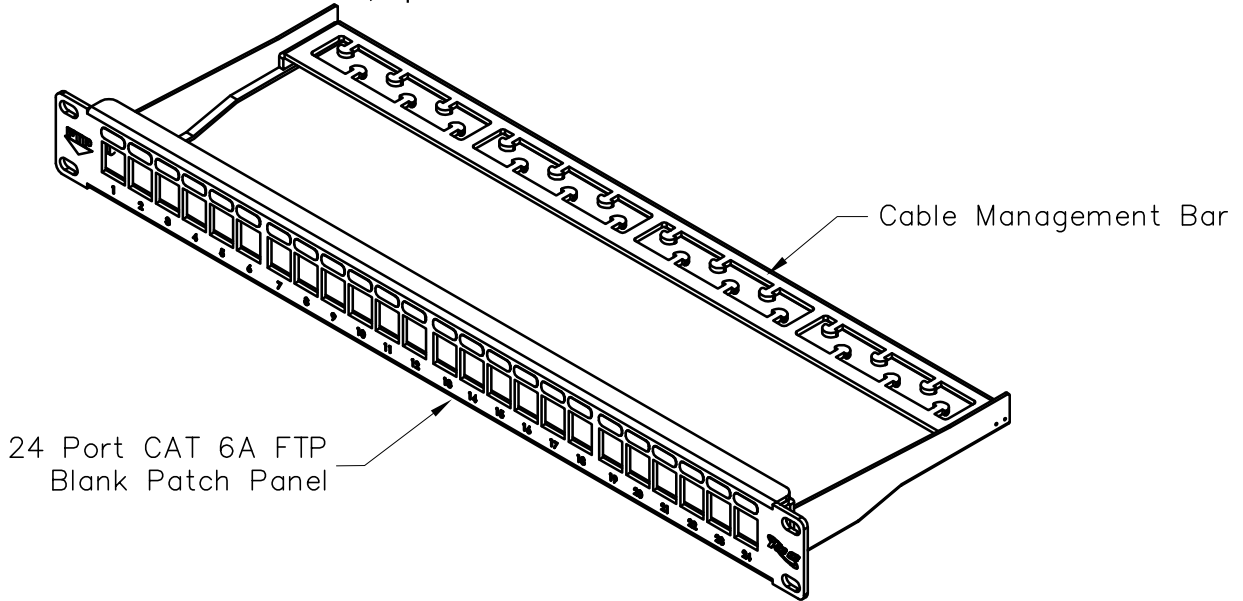
www.CablesPlusUSA.com

# 24-Port Category 6A FTP Patch Panel

## PRODUCT SPECIFICATION

### Package includes:

- A. 24-Port CAT6A FTP Blank Patch Panel, 1 pc
- B. Cable Management Bar, 1 pc
- C. Cable Tie, 24pcs
- D. #12-24 x 5/8" Pan Head,  
Pilot Point Machine Screw, 4 pcs



### Features and Benefits:

- Accommodates ICC CAT6A FTP Modular Connector
- Designed to minimize the alien crosstalk for 10 G applications
- Includes rear cable management to facilitate proper bend radius of cable
- Compatible with standard 19" distribution racks
- Provides 24 open ports in 1RMS for high density applications
- Pre-installed grounding studs for quick installation
- Also compatible with ICC CAT6 shielded HD modular connector

### PATCH PANEL, CAT 6A, FTP, 24-PORT

ITEM NO.	IC107PPS6A
DWG NO.	PS107PPS6A

REV.	A
PAGE NO.	1



Available from:



Cables Plus, LLC

8504 Glazebrook Ave Richmond, VA 23228 ~ Toll Free (866) 678-5852

www.CablesPlusUSA.com

Available from:

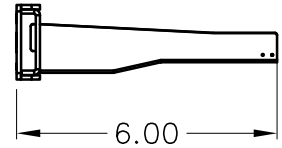
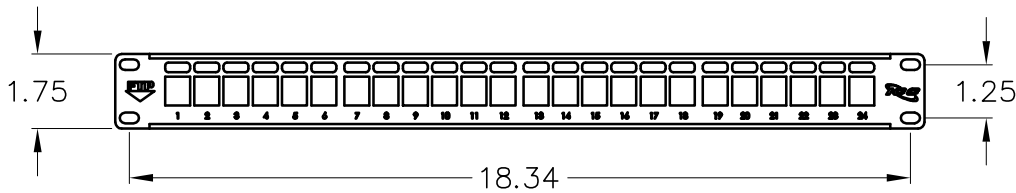
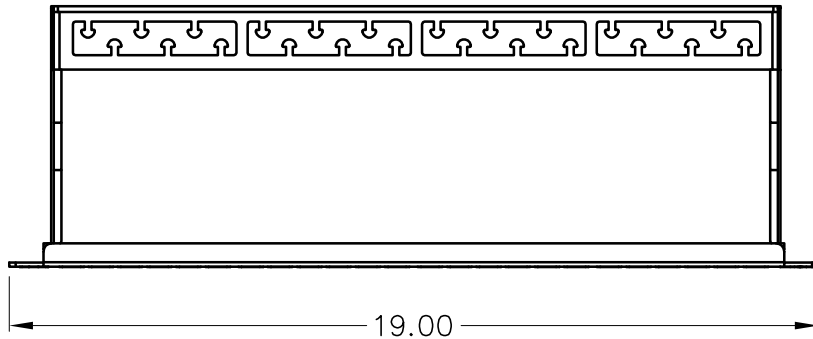
# CablesPlus

U ★ S ★ A

Cables Plus, LLC

8504 Glazebrook Ave Richmond, VA 23228 ~ Toll Free (866) 678-5852

www.CablesPlusUSA.com



**NOTE: UNLESS OTHERWISE SPECIFIED**

1. 24-PORT PATCH PANEL:

A. MATERIAL: 16GA CRS

B. SURFACE FINISH: FRONT - BLACK POWDER COAT  
BACK - ZINC PLATED

**PATCH PANEL, CAT 6A, FTP, 24-PORT**

ITEM NO. IC107PPS6A  
DWG NO. PS107PPS6A

REV. A  
PAGE NO. 2

**ICG**  
Premium Products  
Proven Performance  
Competitive Prices

Available from:

# CablesPlus

U ★ S ★ A

Cables Plus, LLC  
8504 Glazebrook Ave Richmond, VA 23228 ~ Toll Free (866) 678-5852

www.CablesPlusUSA.com