

Available from:

CablesPlus

U ★ S ★ A

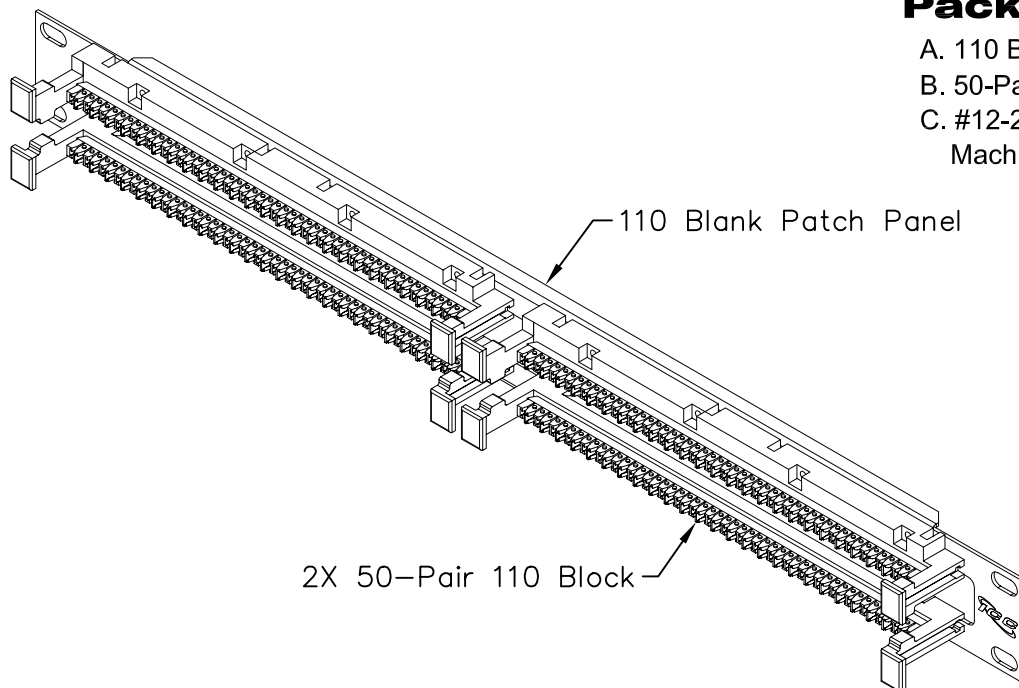
Cables Plus, LLC

8504 Glazebrook Ave Richmond, VA 23228 ~ Toll Free (866) 678-5852

www.CablesPlusUSA.com

100-Pair 110 Patch Panel

PRODUCT SPECIFICATION



Package includes:

- A. 110 Blank Patch Panel, 1 pc
- B. 50-Pair 110 Block, 2 pcs
- C. #12-24 x 5/8" Pan Head, Pilot Point Machine Screw, 4 pcs

Features and Benefits:

- Rack mounted reinforced steel panel with two 50-pair 110 blocks
- Designed to support the distribution of voice and data needs for commercial or residential applications
- Designed with rear cable entry for flexibility
- Designed to fit all standard 19" racks and cabinets
- 1 rack mount space (RMS)
- Used with IC110CB 110 connecting blocks, ICACSPDT00 and ICACSPDT05 110 punch down tools
- UL Listed

PATCH PANEL, 110, 100-PAIR, 1 RMS

ITEM NO. IC110RM100

REV. A

DWG NO. PS110RM100

PAGE NO. 1

ICG

PremiumProducts

ProvenPerformance

CompetitivePrices

Available from:

CablesPlus

U ★ S ★ A

Cables Plus, LLC

8504 Glazebrook Ave Richmond, VA 23228 ~ Toll Free (866) 678-5852

www.CablesPlusUSA.com

Available from:

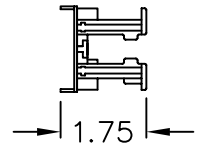
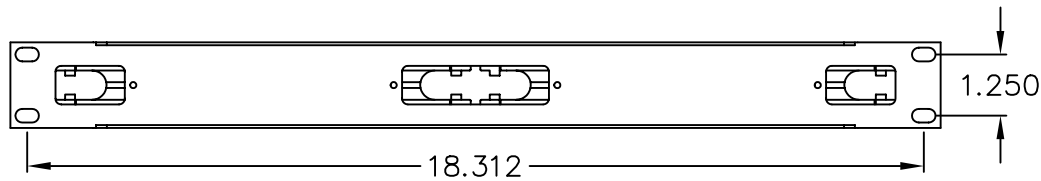
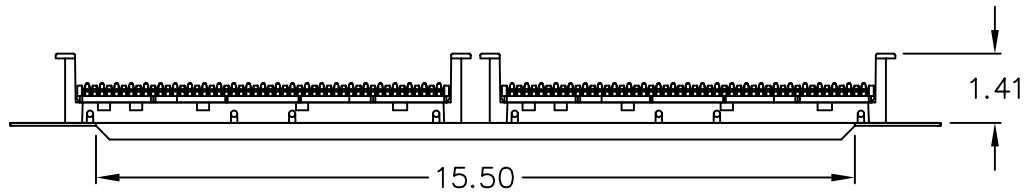
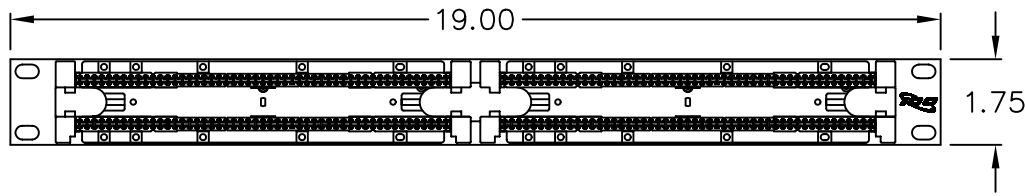
CablesPlus

U * S * A

Cables Plus, LLC


8504 Glazebrook Ave Richmond, VA 23228 ~ Toll Free (866) 678-5852

www.CablesPlusUSA.com



NOTE: UNLESS OTHERWISE SPECIFIED

1. 110 BLANK PATCH PANEL:
 - A. MATERIAL: 16 GA CRS
 - B. SURFACE FINISHING: BLACK POWDER COAT
2. 50-PAIR 110 BLOCK:
 - A. MATERIAL: PC, UL 94V-0
 - B. COLOR: IVORY

PATCH PANEL, 110, 100-PAIR, 1 RMS		 Premium Products Proven Performance Competitive Prices	
ITEM NO.	IC110RM100		REV. A
DWG NO.	PS110RM100		PAGE NO. 2

Available from:

CablesPlus

U * S * A

Cables Plus, LLC
8504 Glazebrook Ave Richmond, VA 23228 ~ Toll Free (866) 678-5852

www.CablesPlusUSA.com