

Available from:

# CablesPlus

U ★ S ★ A

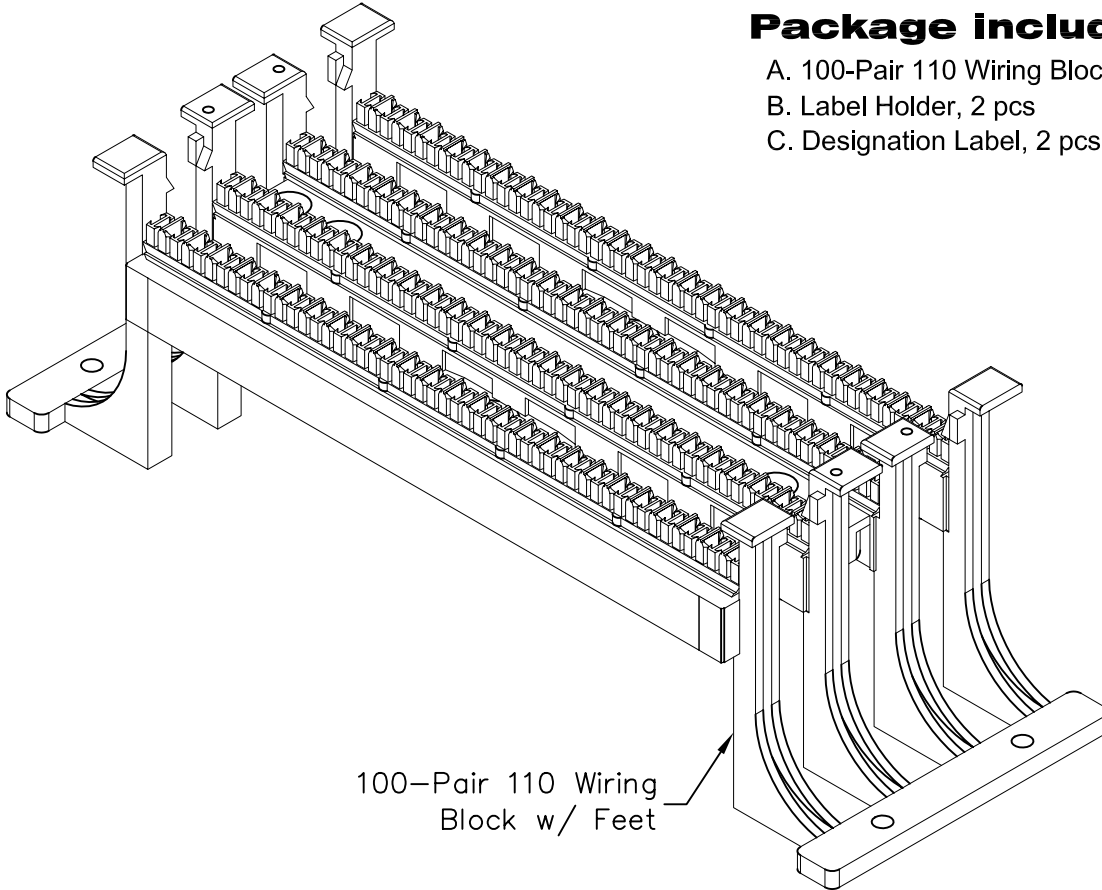
Cables Plus, LLC

8504 Glazebrook Ave Richmond, VA 23228 ~ Toll Free (866) 678-5852

www.CablesPlusUSA.com

## 100-Pair 110 Wiring Block With Feet

### PRODUCT SPECIFICATION



#### Package includes:

- A. 100-Pair 110 Wiring Block w/ Feet, 1 pc
- B. Label Holder, 2 pcs
- C. Designation Label, 2 pcs

#### Features and Benefits:

- High density wall mounted cross connect system designed for voice and data applications
- Easy system administration with designation labels and label holders
- Used with IC110CB connecting blocks, IC110 cable management blocks, ICACSPDT00 and ICACSPDT05 110 punch down tools
- UL Listed

#### 110 WIRING BLOCK W/ FEET, 100-PAIR

ITEM NO.	IC110WF100
DWG NO.	PS110WF100

REV.	A
PAGE NO.	1



Available from:

# CablesPlus

U ★ S ★ A

Cables Plus, LLC  
8504 Glazebrook Ave Richmond, VA 23228 ~ Toll Free (866) 678-5852

www.CablesPlusUSA.com

Available from:

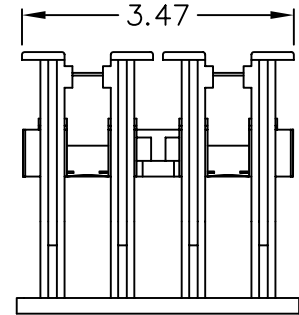
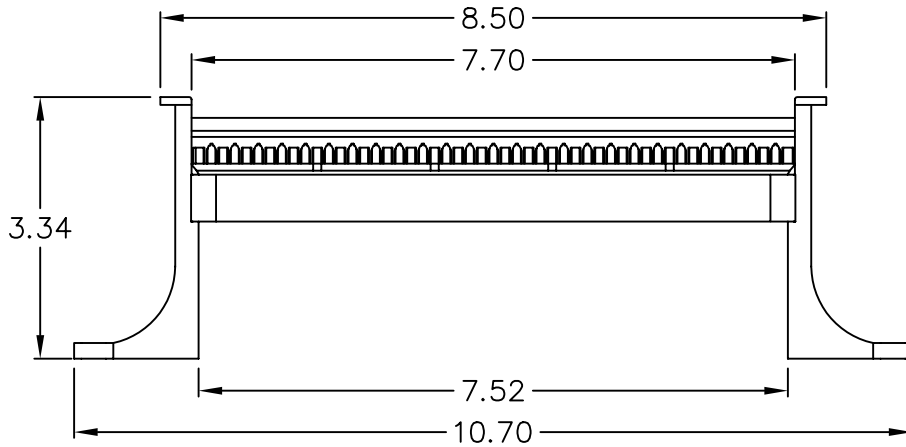
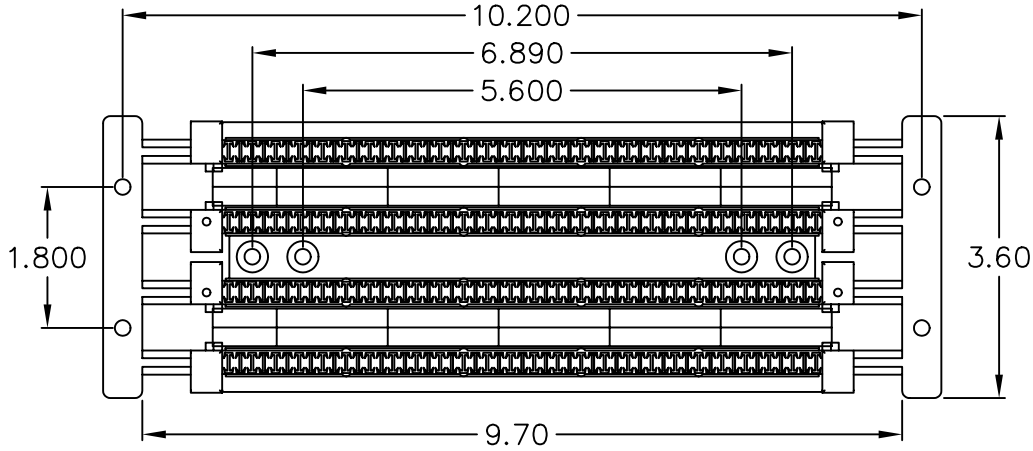
# CablesPlus

U ★ S ★ A

Cables Plus, LLC

8504 Glazebrook Ave Richmond, VA 23228 ~ Toll Free (866) 678-5852

www.CablesPlusUSA.com



**NOTE: UNLESS OTHERWISE SPECIFIED**

- 1. MATERIAL: PC, UL 94V-0
- 2. COLOR: IVORY

## 110 WIRING BLOCK W/ FEET, 100-PAIR

ITEM NO.	IC110WF100
DWG NO.	PS110WF100

REV.	A
PAGE NO.	2



Available from:

# CablesPlus

U ★ S ★ A

Cables Plus, LLC  
8504 Glazebrook Ave Richmond, VA 23228 ~ Toll Free (866) 678-5852

www.CablesPlusUSA.com