

Available from:

CablesPlus

U ★ S ★ A

Cables Plus, LLC

8504 Glazebrook Ave Richmond, VA 23228 ~ Toll Free (866) 678-5852

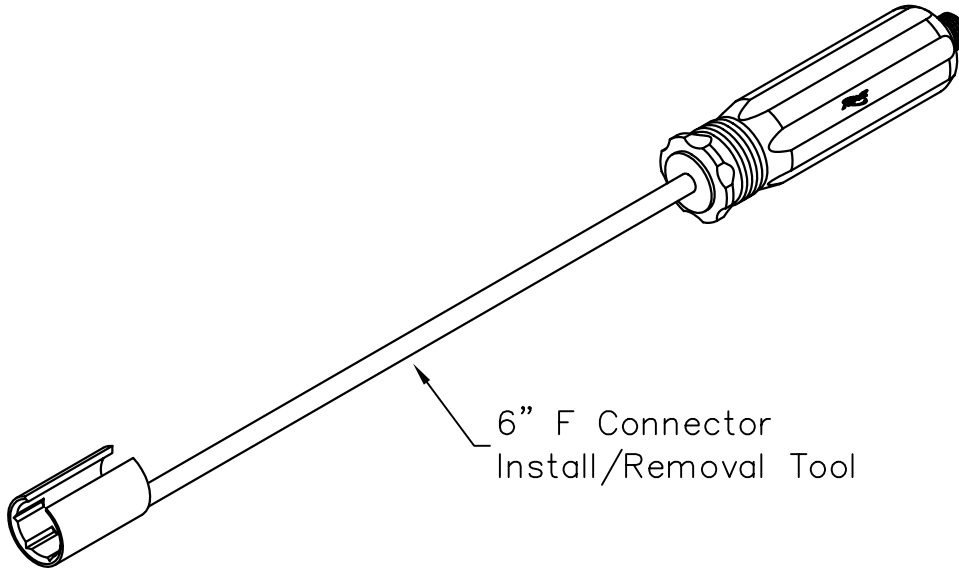
www.CablesPlusUSA.com

6" F Connector Install & Removal Tool

PRODUCT SPECIFICATION

Package includes:

A. 6" F Connector Install/Removal Tool, 1 pc



6" F Connector
Install/Removal Tool

Features and Benefits:

- High quality carbon steel material that allows for durability and strength.
- Convenient for installing and removing F-Connectors from hard to reach locations.
- Comfortable handle ergonomically designed for ease of use.
- Threaded end provides stability during cable assembly.
- Compatible with ICC's ICRDSAV01F & ICRDSAV04F F-Connectors.

TOOL, F CONNECTOR INST/REMOVAL, 6"

ITEM NO.	ICACSF06RT
DWG NO.	PSACSF06RT

REV.	A
PAGE NO.	1



Available from:

CablesPlus

U ★ S ★ A

Cables Plus, LLC
8504 Glazebrook Ave Richmond, VA 23228 ~ Toll Free (866) 678-5852

www.CablesPlusUSA.com

Available from:

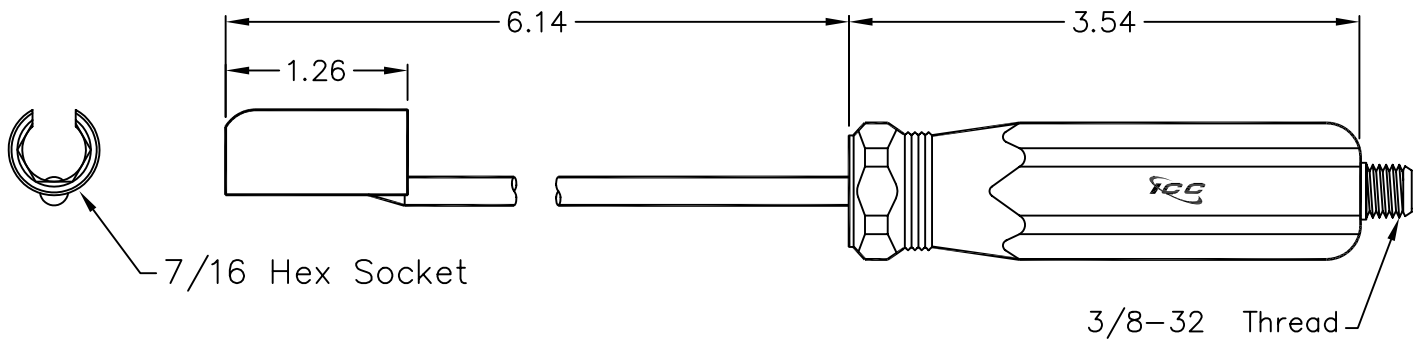
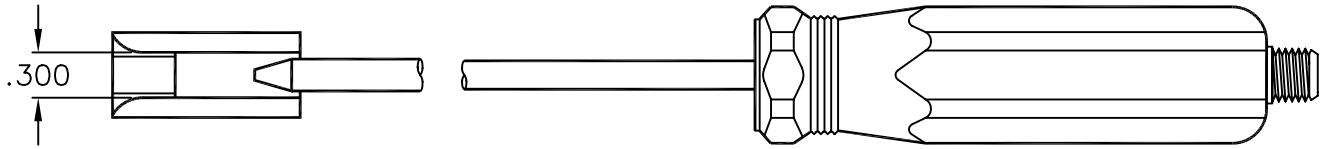
CablesPlus

U ★ S ★ A

Cables Plus, LLC


8504 Glazebrook Ave Richmond, VA 23228 ~ Toll Free (866) 678-5852

www.CablesPlusUSA.com



NOTE: UNLESS OTHERWISE SPECIFIED

- 1. MATERIAL:
 - A. BODY: MIDDLE CARBON STEEL (AISI 1010)
 - B. FINISH: CHROME PLATING
 - C. HANDLE: PVC
- 2. THREAD: 3/8-32
- 3. SOCKET: 7/16 HEX
- 4. COLOR:
 - A. HANDLE: AMBER/BLACK

TOOL, F CONNECTOR INST/REMOVAL, 6"		 <i>Premium Products</i> <i>Proven Performance</i> <i>Competitive Prices</i>	
ITEM NO.	ICACSF06RT		REV. A
	SF06RT		PAGE NO. 2

Available from:

CablesPlus

U ★ S ★ A

Cables Plus, LLC
8504 Glazebrook Ave Richmond, VA 23228 ~ Toll Free (866) 678-5852

www.CablesPlusUSA.com