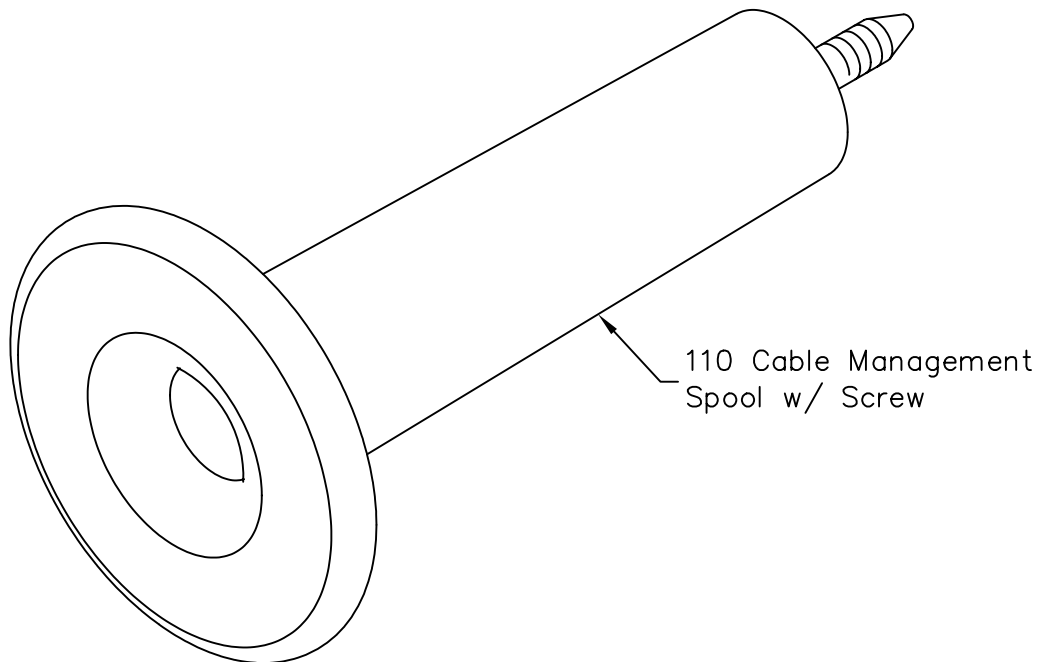


# 110 Cable Management Spool With Screw

## PRODUCT SPECIFICATION

### Package includes:

- A. 110 Cable Management Spool w/ Screw, 10 pcs



### Features and Benefits:

- Designed to retain and guide cables allowing quick and easy access for changes
- Comes with wood screw for wall mounting
- UL listed

### 110 CABLE MGMT SPOOL W/ SCREW, 10 PK

ITEM NO.	ICACSWDS20	REV.	A
DWG NO.	PSACSWDS20	PAGE NO.	1



Available from:



Cables Plus, LLC  
 8504 Glazebrook Ave Richmond, VA 23228 ~ Toll Free (866) 678-5852

[www.CablesPlusUSA.com](http://www.CablesPlusUSA.com)

Available from:

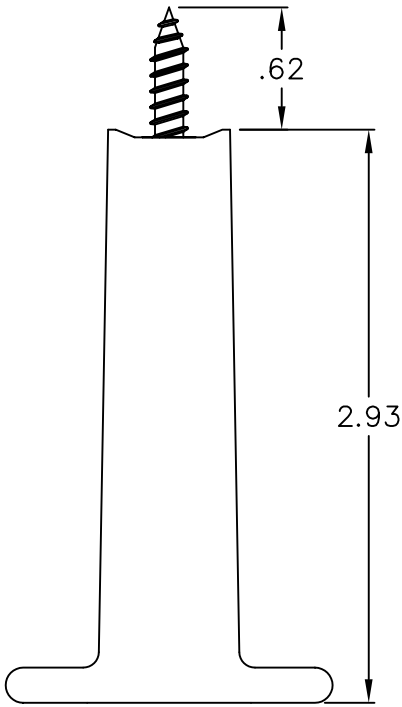
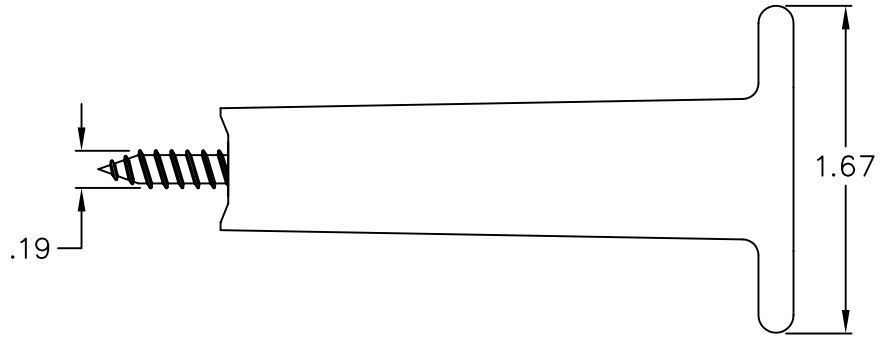
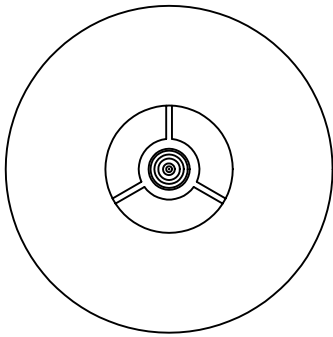
# CablesPlus

U ★ S ★ A

Cables Plus, LLC

8504 Glazebrook Ave Richmond, VA 23228 ~ Toll Free (866) 678-5852

www.CablesPlusUSA.com



**NOTE: UNLESS OTHERWISE SPECIFIED**

1. MATERIAL:

A. CABLE MANAGEMENT SPOOL: ABS, UL 94V-0

B. INSERT SCREW: SAE 1010, ZINC PLATING

2. COLOR: WHITE

**1 10 CABLE MGMT SPOOL W/ SCREW, 10 PK**

ITEM NO. ICACSWDS20

REV. A

DWG NO. PSACSWDS20

PAGE NO. 2



# CablesPlus

U ★ S ★ A

<http://www.cablesplususa.com/>

866-678-5852