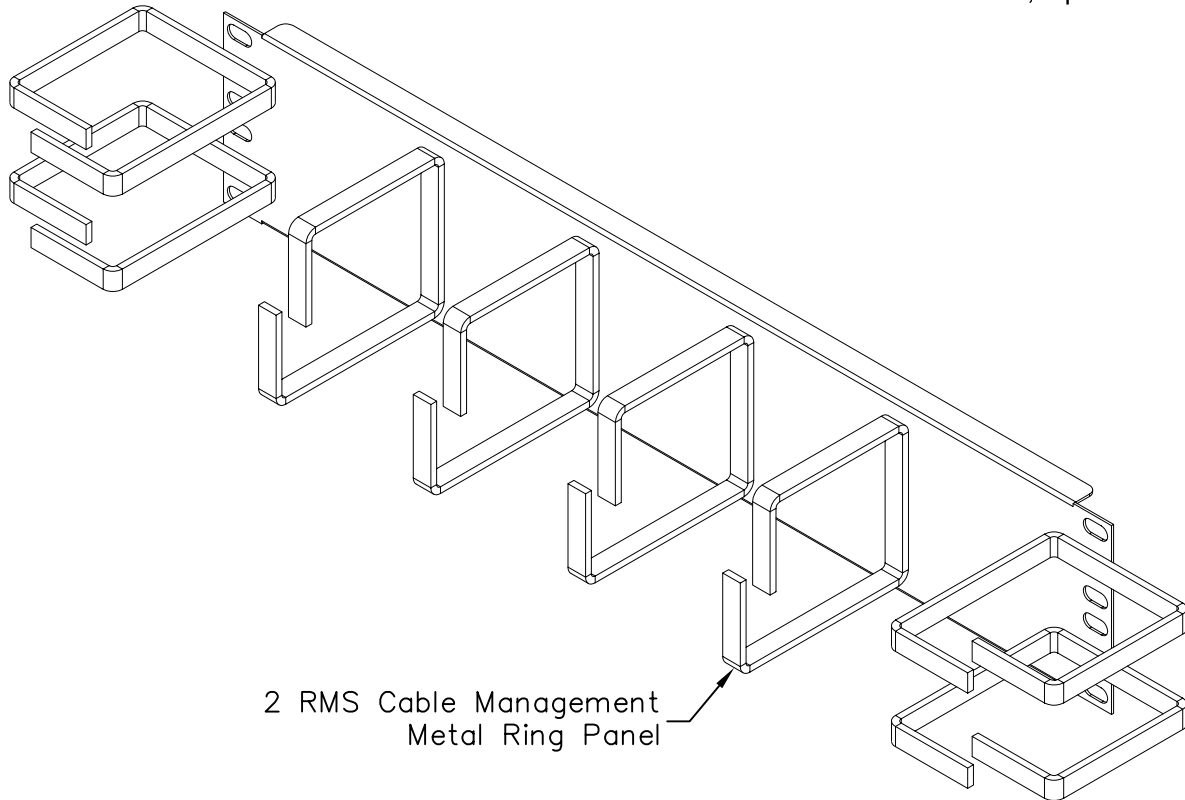


Cable Management Metal Ring Panel, 2 RMS

PRODUCT SPECIFICATION

Package includes:

- A. 2 RMS Cable Management Metal Ring Panel, 1 pc
- B. #12-24 x 5/8" Pan Head, Pilot Point Machine Screw, 4 pcs



Features and Benefits:

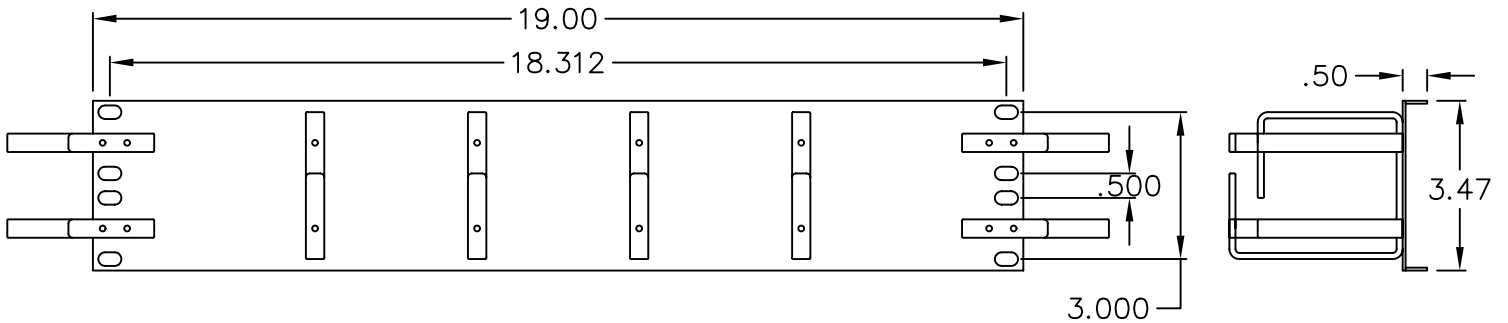
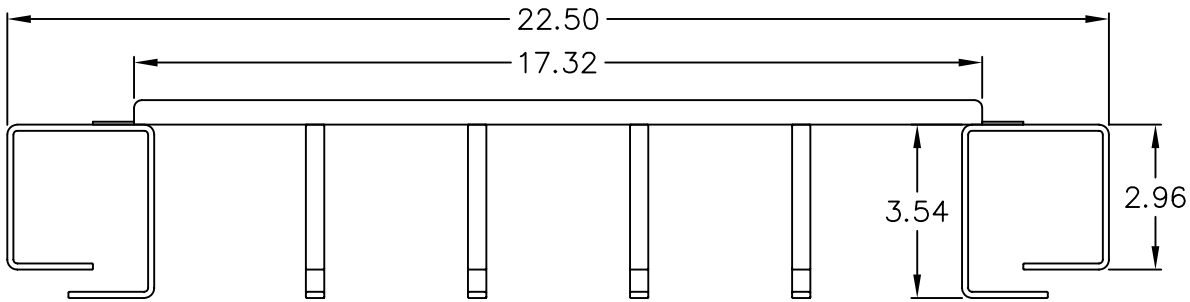
- Provides flexibility for front cable management with a neat and clean appearance
- Designed with 4 horizontal and 2 vertical rings for patch cord organization in either direction
- Designed to fit all standard 19" racks and cabinets
- 2 rack mount space (RMS)
- Used with all ICCMS racks and brackets

PANEL, CABLE MANAGEMENT METAL RING, 2 RMS

ITEM NO.	ICCMSCMP32	REV.	B
DWG NO.	PSCMSCMP32	PAGE NO.	1



CUSTOMER CARE / TECHNICAL SUPPORT * CSR@ICC.COM / 888-ASK-4-ICC (275-4422) * 14700 Alondra Blvd., La Mirada, CA 90638 * www.icc.com



NOTE: UNLESS OTHERWISE SPECIFIED

1. MATERIAL:
 - A. PANEL: 16 GA CRS
 - B. RING: 1/8" X 3/8" CRS
2. SURFACE FINISH: BLACK TEXTURED POWDER COAT

PANEL, CABLE MANAGEMENT METAL RING, 2 RMS

ITEM NO.	ICCMSCMP32	REV.	B
DWG NO.	PSCMSCMP32	PAGE NO.	2



CUSTOMER CARE / TECHNICAL SUPPORT * CSR@ICC.COM / 888-ASK-4-ICC (275-4422) * 14700 Alondra Blvd., La Mirada, CA 90638 * www.icc.com