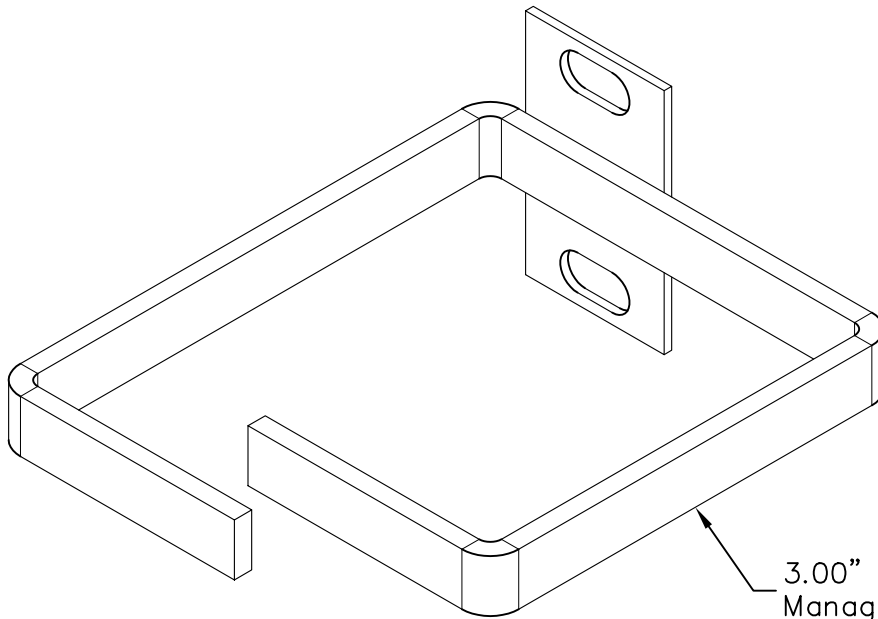


# 3.00" Single Cable Management Ring

## PRODUCT SPECIFICATION

### Package includes:

- A. 3.00" Single Cable Management Ring, 1 pc
- B. #12-24 x 5/8" Pan Head, Pilot Point Machine Screw, 2 pcs
- C. M4 X .7mm Pan Head, Phillips with Washer Screw, 1 pc



3.00" Single Cable Management Ring

### Features and Benefits:

- Provides flexibility for front or back cable management with a neat and clean appearance
- Suitable for all racks, wall mount racks, and wall mount brackets
- Used with ICCMS distribution and cable management racks, ICCMSWMR wall mount racks, ICCMSSGR wall mount swing gate racks, ICCMSVHB wall mount vertical hinged brackets, and ICCMSHB wall mount hinged brackets

### RING, CABLE MANAGEMENT, SINGLE, 3.00"

ITEM NO.	ICCMSCMPR2	REV.	C
DWG NO.	PSCMSCMPR2	PAGE NO.	1



Available from:

Available from:

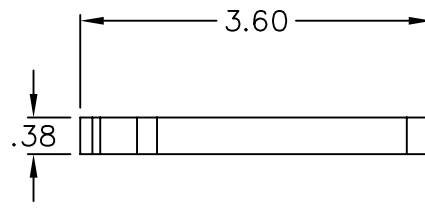
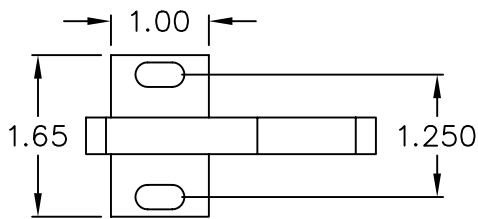
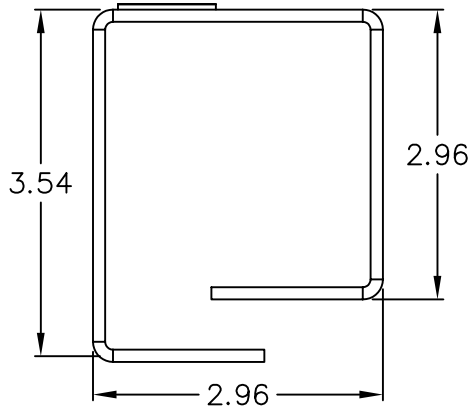
# CablesPlus

U ★ S ★ A

Cables Plus, LLC

8504 Glazebrook Ave Richmond, VA 23228 ~ Toll Free (866) 678-5852

www.CablesPlusUSA.com



**NOTE: UNLESS OTHERWISE SPECIFIED**

1. MATERIAL:

A. RING: 1/8" X 3/8" STRIP CRS

B. BRACKET: 16 GA CRS

2. SURFACE FINISH: BLACK TEXTURED POWDER COAT

**RING, CABLE MANAGEMENT, SINGLE, 3.00"**

ITEM NO. ICCMSCMPR2

REV. C

DWG NO. PSCMSCMPR2

PAGE NO. 2

**ICC**  
Premium Products  
Proven Performance  
Competitive Prices

# CablesPlus

U ★ S ★ A

<http://www.cablesplususa.com/>

866-678-5852