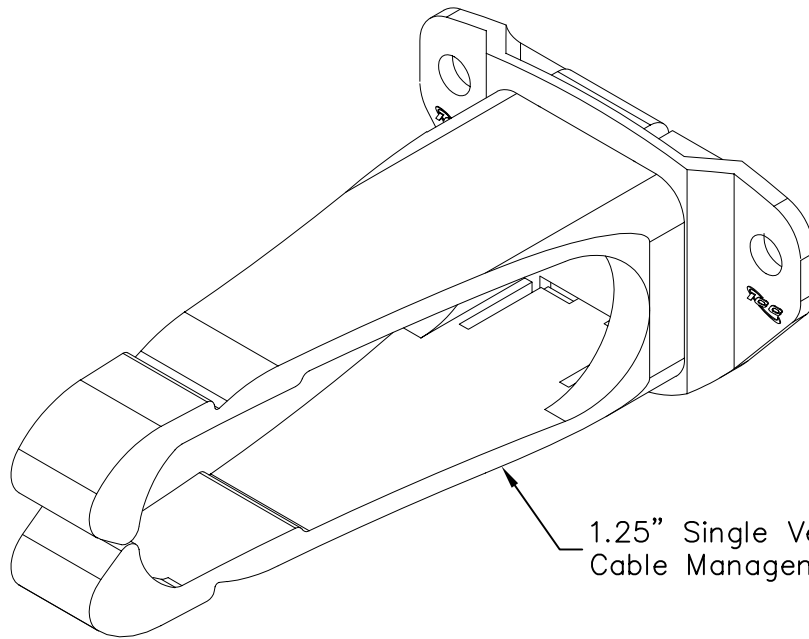


1.25" Single Vertical Cable Management Ring

PRODUCT SPECIFICATION

Package includes:

- A. 1.25" Single Vertical Cable Management Ring, 1 pc
- B. #12-24 x 5/8" Pan Head, Pilot Point Machine Screw, 2 pcs



1.25" Single Vertical
 Cable Management Ring

Features and Benefits:

- Provides flexibility for front or back cable management with a neat and clean appearance
- Suitable for all racks, wall mount racks, and wall mount brackets
- Used with ICCMS distribution and cable management racks, ICCMSWMR wall mount racks, ICCMSSGR wall mount swing gate racks, ICCMSVHB wall mount vertical hinged brackets, and ICCMSHB wall mount hinged brackets

RING, VERTICAL CABLE MGMT, SINGLE, 1.25"

ITEM NO.	ICCMSCMPR5
DWG NO.	PSCMSCMPR5

REV.	A
PAGE NO.	1



Available from:

Available from:

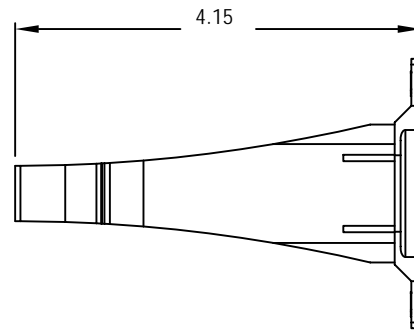
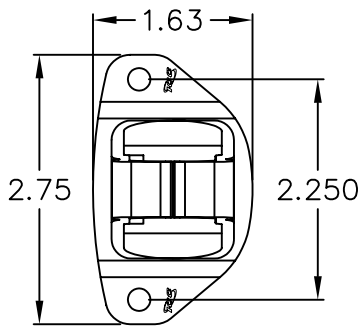
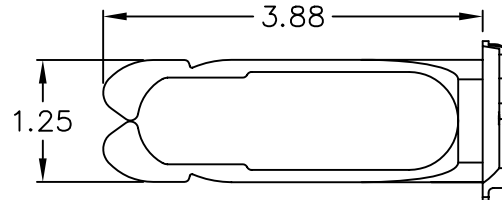
CablesPlus

U ★ S ★ A

Cables Plus, LLC

8504 Glazebrook Ave Richmond, VA 23228 ~ Toll Free (866) 678-5852

www.CablesPlusUSA.com



NOTE: UNLESS OTHERWISE SPECIFIED

1. MATERIAL: HIGH IMPACT ABS, UL 94V-0
2. COLOR: BLACK

RING, VERTICAL CABLE MGMT, SINGLE, 1.25"

ITEM NO. ICCMSCMPR5

REV. A

DWG NO. PSCMSCMPR5

PAGE NO. 2

ICC
Premium Products
Proven Performance
Competitive Prices

CablesPlus

U ★ S ★ A

<http://www.cablesplususa.com/>

866-678-5852