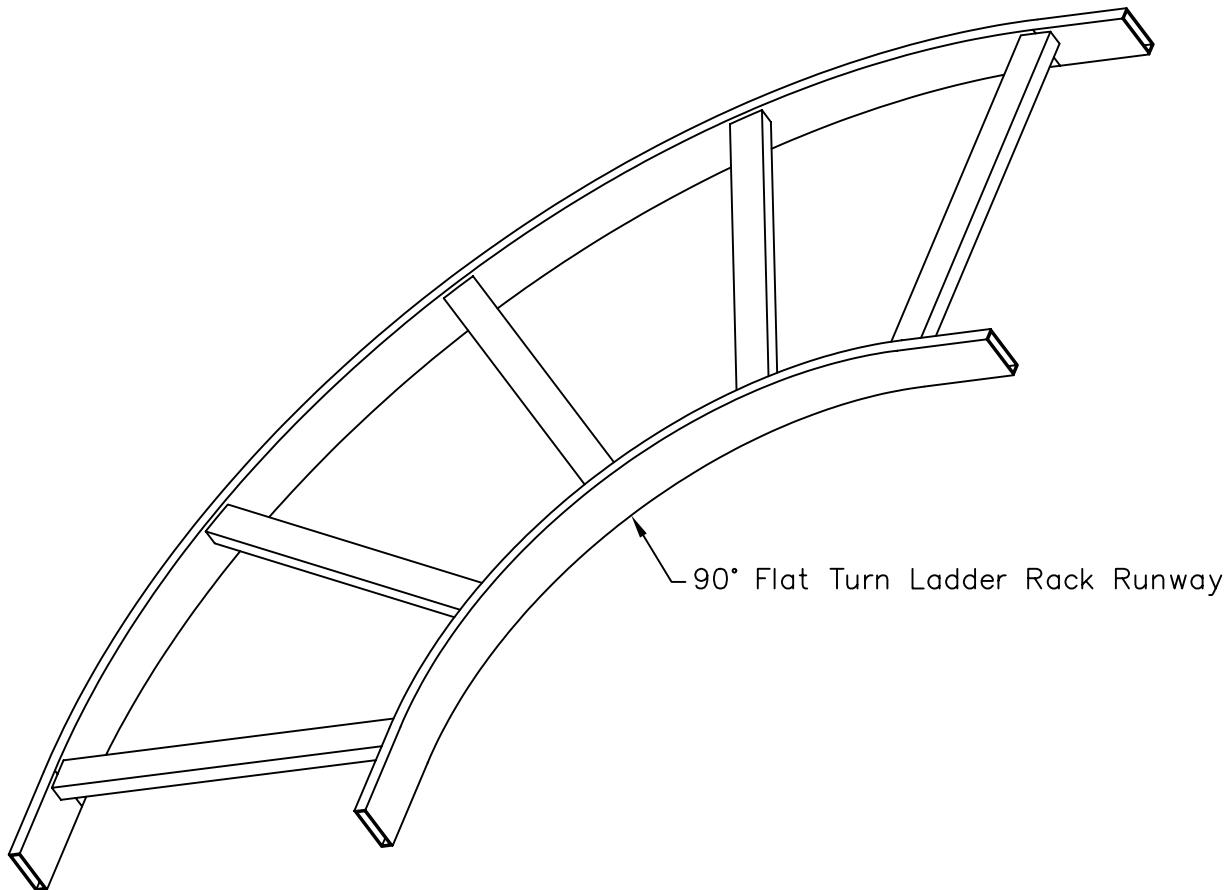


# 90° Flat Turn Ladder Rack Runway

## PRODUCT SPECIFICATION


### Package includes:

- A. 90° Flat Turn Ladder Rack Runway, 1 pc



### Features and Benefits:

- Designed with durable steel construction, black powder coated, providing strength and stability for long lasting use
- Designed to change the horizontal cable running overhead in a 90° flat turn
- Used with ICCMSLST ladder rack runways

<b>LADDER RACK RUNWAY, 90° FLAT TURN</b>		 <i>Premium Products</i> <i>Proven Performance</i> <i>Competitive Prices</i>	
ITEM NO.	ICMSLFT90		REV. A
DWG NO.	PSCMSLFT90		PAGE NO. 1

Available from:

Available from:

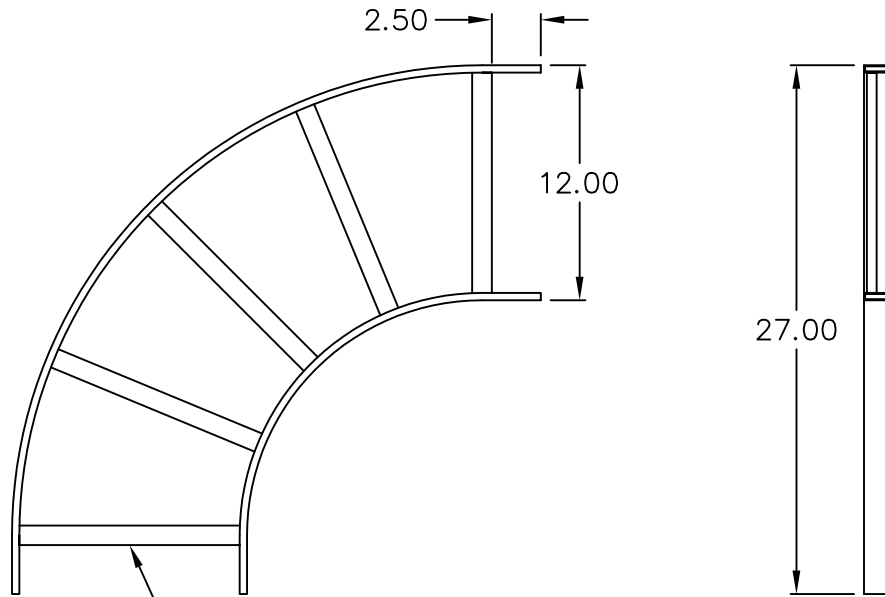
# CablesPlus

U ★ S ★ A

Cables Plus, LLC

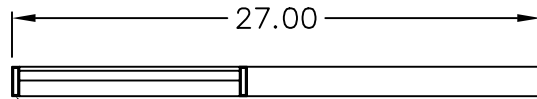
8504 Glazebrook Ave Richmond, VA 23228 – Toll Free (866) 678-5852

www.CablesPlusUSA.com



RECTANGULAR STEEL TUBING

$1 \times \frac{1}{2} \times \frac{1}{16}$



RECTANGULAR STEEL TUBING

$1\frac{1}{2} \times \frac{3}{8} \times \frac{1}{16}$

**NOTE: UNLESS OTHERWISE SPECIFIED**

1. MATERIAL: 16 GA STEEL TUBING
2. CONSTRUCTION: WELDED
3. SURFACE FINISH: BLACK POWDER COAT

**LADDER RACK RUNWAY, 90° FLAT TURN**

ITEM NO. ICMSLFT90

REV. A

DWG NO. PSCMSLFT90

PAGE NO. 2

**ICC**  
Premium Products  
Proven Performance  
Competitive Prices

# CablesPlus

U ★ S ★ A

<http://www.cablesplususa.com/>

866-678-5852