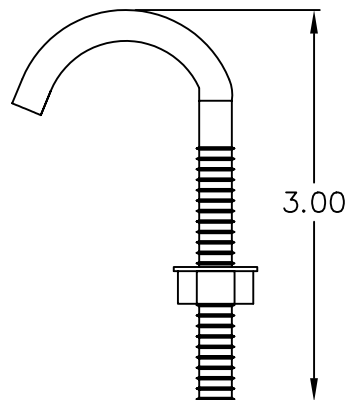
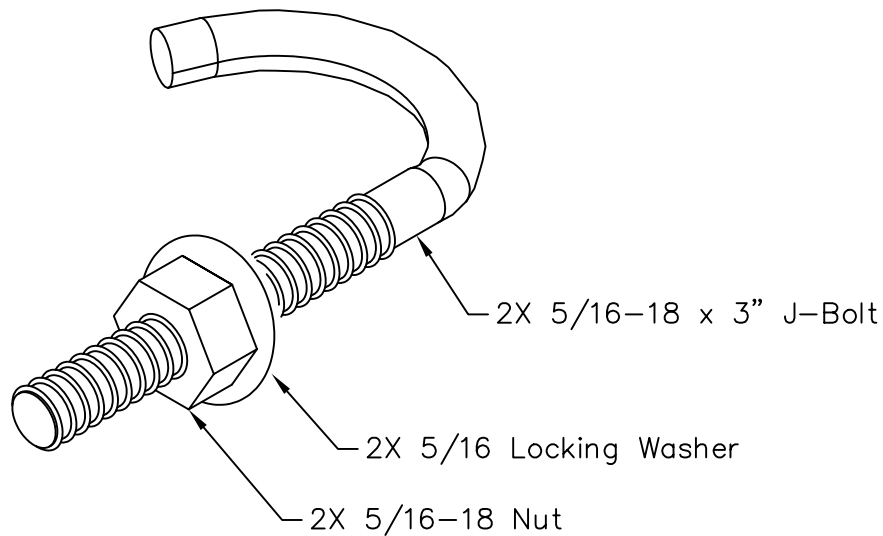


J-Bolt Runway Kit

PRODUCT SPECIFICATION


Package includes:

- A. 5/16-18 x 3" J-Bolt, 2 pcs
- B. 5/16-18 Nut, 2 pcs
- C. 5/16 Lock Washer, 2 pcs



Features and Benefits:

- Designed to insert over and secure runway sections
- Used with ICCMSL ladder rack runway products

RUNWAY KIT, J-BOLT, 2 EA		 <i>Premium Products</i> <i>Proven Performance</i> <i>Competitive Prices</i>	
ITEM NO.	ICCMSLJB01		REV. A
DWG NO.	PSCMSLJB01		PAGE NO. 1