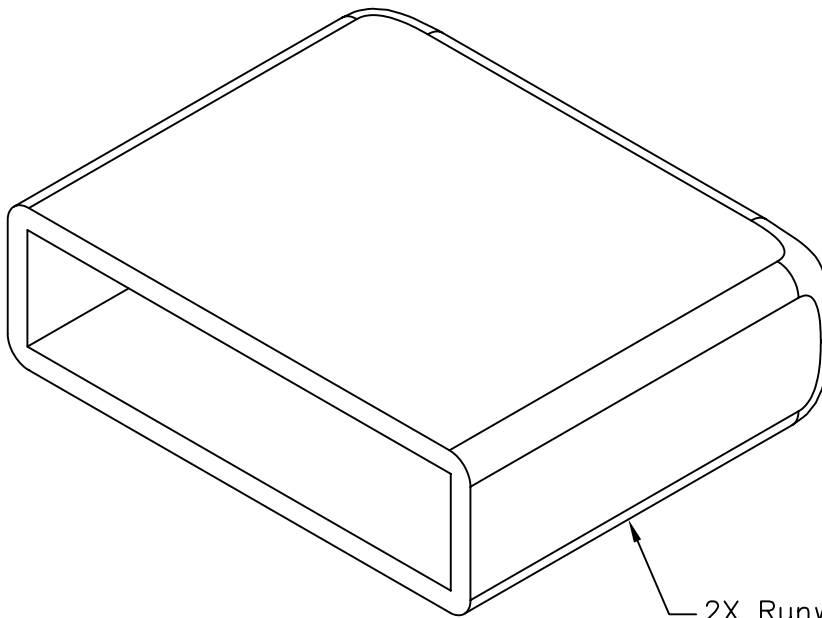


Runway End Cap

PRODUCT SPECIFICATION

Package includes:


A. Runway End Cap, 2 pcs



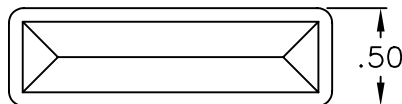
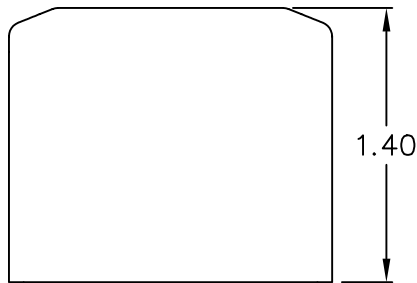
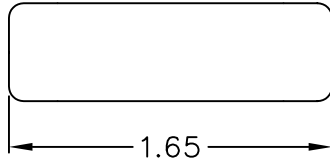
2X Runway End Cap

Features and Benefits:

- Designed to cover the ends on ladder rack runways and cable posts for a neater appearance
- Used with ICCMSLST ladder rack runways and cable retaining posts


RUNWAY END CAP, 2 EA			 <i>Premium Products</i> <i>Proven Performance</i> <i>Competitive Prices</i>
ITEM NO.	ICCMSLPECK	REV. A	
DWG NO.	PSCMSLPECK	PAGE NO. 1	

Available from:



NOTE: UNLESS OTHERWISE SPECIFIED

1. MATERIAL: SOFT PLASTIC
2. COLOR: BLACK

RUNWAY END CAP, 2 EA			 <i>PremiumProducts</i> <i>ProvenPerformance</i> <i>CompetitivePrices</i>
ITEM NO.	ICCMSLPECK	REV. A	
DWG NO.	PSCMSLPECK	PAGE NO. 2	