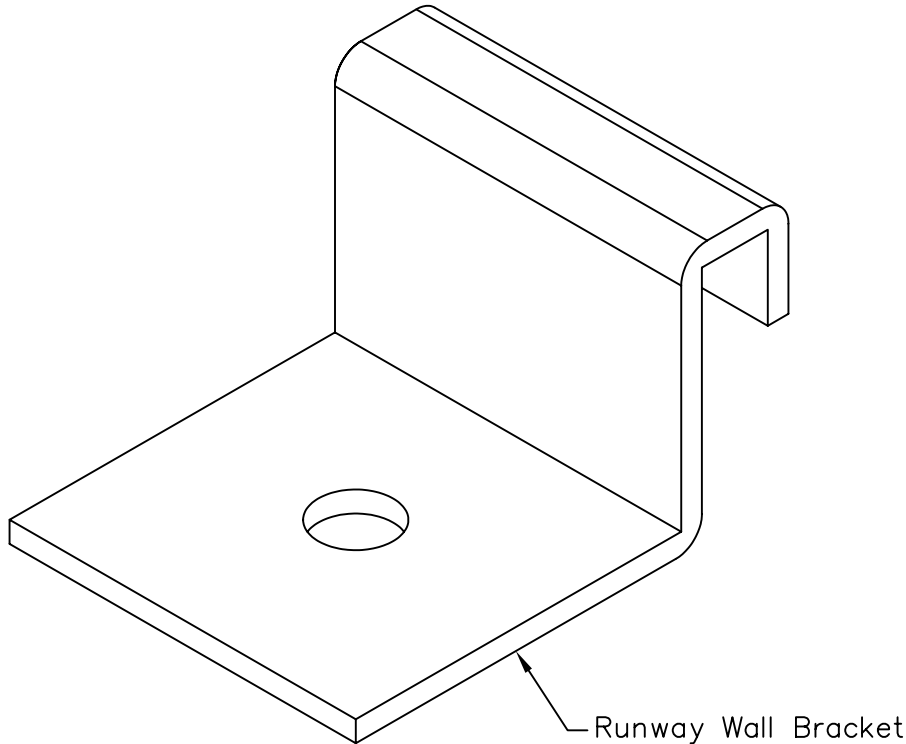


Runway Wall Bracket

PRODUCT SPECIFICATION


Package includes:

- A. Runway Wall Bracket, 2 pcs



Features and Benefits:

- Designed with durable steel construction, black textured powder coated, providing strength and stability for long lasting use
- Designed to secure runway sections flat against the wall
- Used with ICCMSLST ladder rack runways

RUNWAY WALL BRACKET, 2 EA			
ITEM NO.	ICMSLVWBK	REV.	B
DWG NO.	PSCMSLVWBK	PAGE NO.	1

Premium Products
Proven Performance
Competitive Prices

Available from:

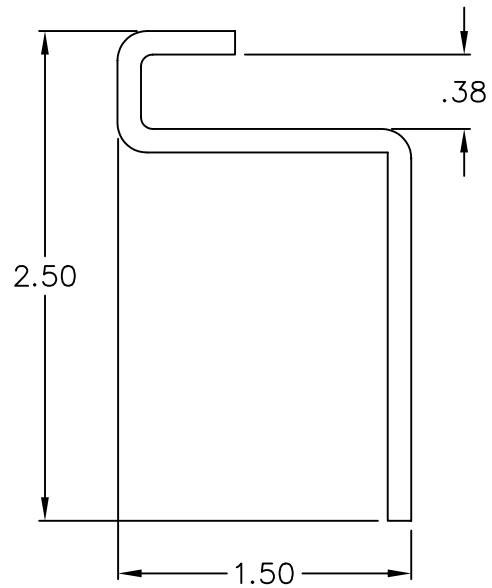
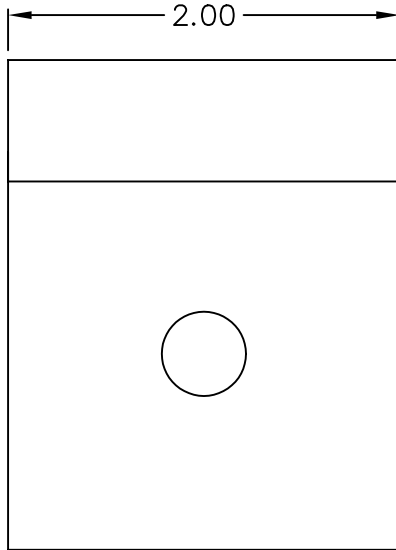
CablesPlus

U ★ S ★ A

Cables Plus, LLC

8504 Glazebrook Ave Richmond, VA 23228 ~ Toll Free (866) 678-5852

www.CablesPlusUSA.com



NOTE: UNLESS OTHERWISE SPECIFIED

1. MATERIAL: 11 GA CRS
2. SURFACE FINISH: BLACK TEXTURED POWDER COAT

RUNWAY WALL BRACKET, 2 EA

ITEM NO.	ICMSLVWBK
DWG NO.	PSCMSLVWBK

REV.	B
PAGE NO.	2

ICC
Premium Products
Proven Performance
Competitive Prices

CablesPlus

U ★ S ★ A

<http://www.cablesplususa.com/>

866-678-5852