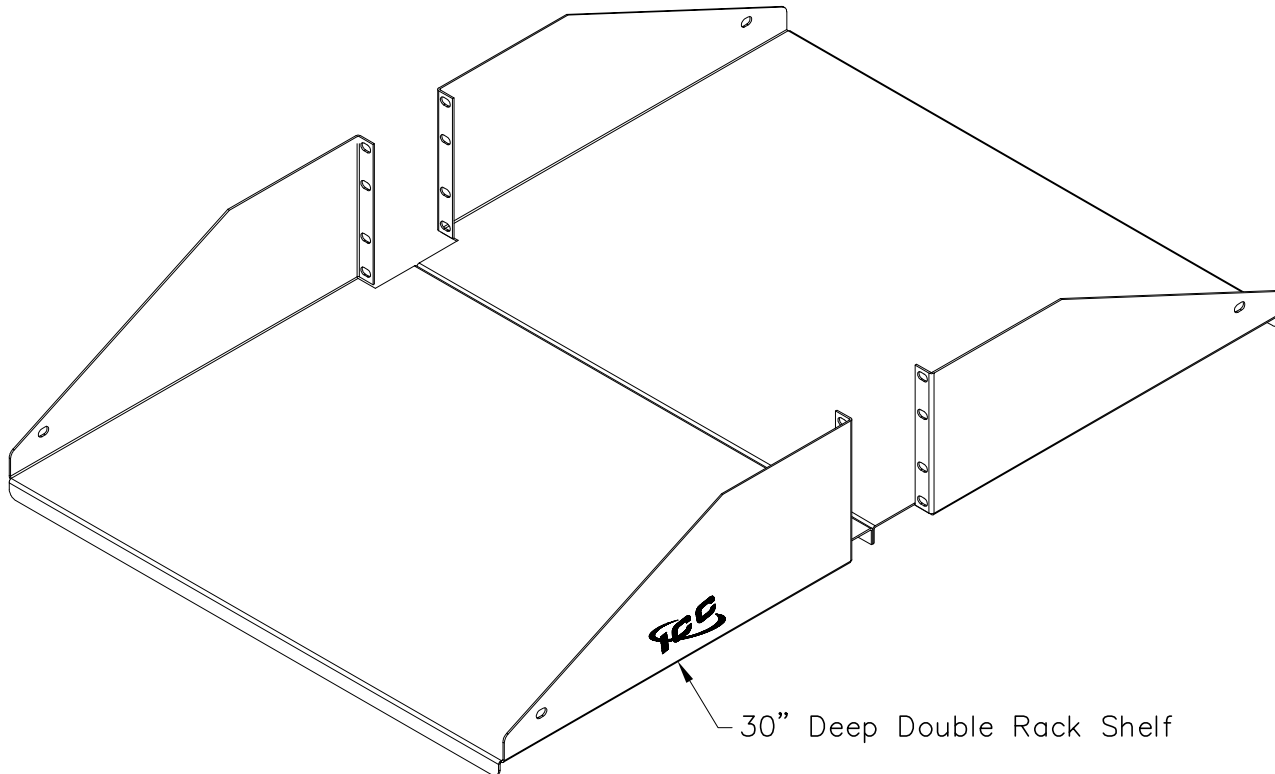


# 30" Deep Double Rack Shelf

## PRODUCT SPECIFICATION

### Package includes:

- A. 30" Deep Double Rack Shelf, 1 pc
- B. #12-24 x 5/8" Pan Head, Pilot Point Machine Screw, 8 pcs
- C. #10-32 x 3/8" Pan Head Machine Screw, 4 pcs



### Features and Benefits:

- Designed with durable steel construction, black textured powder coated, supports bigger and heavier equipment up to 125 lbs. load capacity.
- Designed to fit all standard 19" racks and cabinets with 3" deep side rails.
- 3 rack mount space (RMS).
- Used with all ICCMSR and ICCMSA distribution racks.

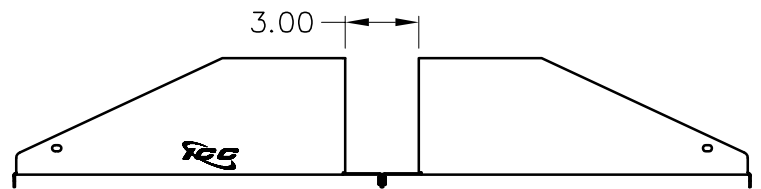
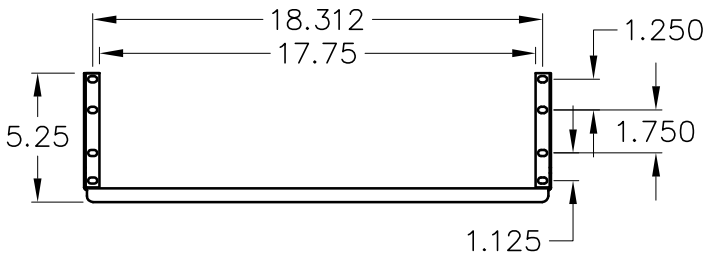
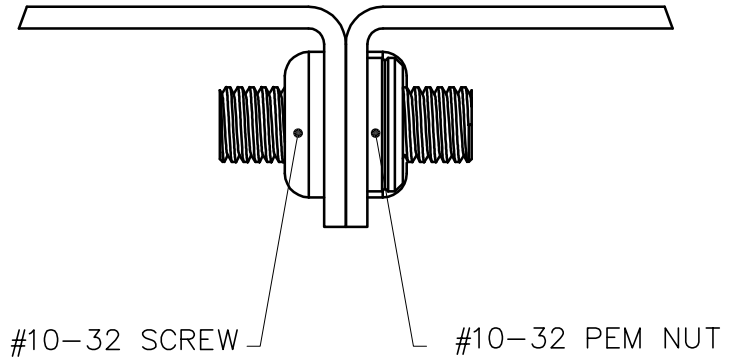
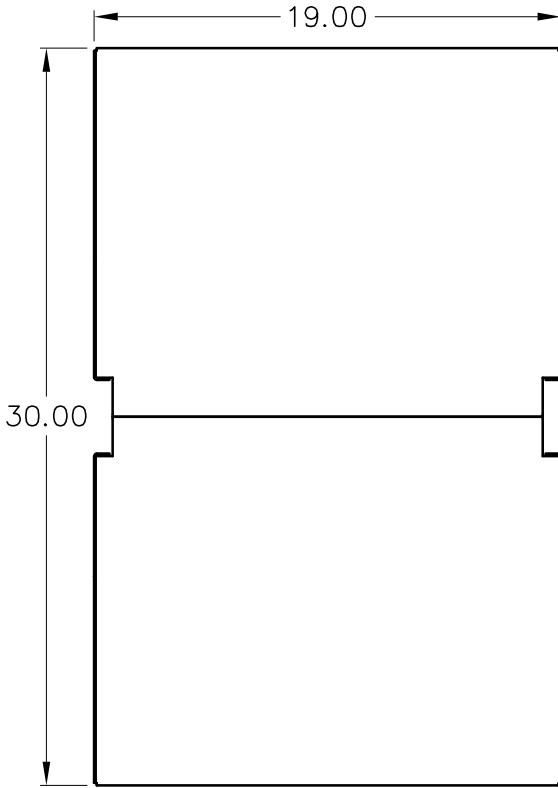
### RACK SHELF, 30" DEEP DOUBLE, 3 RMS

ITEM NO.	ICCMSRDS30
DWG NO.	PSCMSRDS30

REV.	C
PAGE NO.	1




Available from:



**NOTE: UNLESS OTHERWISE SPECIFIED**

1. MATERIAL: 16 GA CRS
2. SURFACE FINISH: BLACK TEXTURED POWDER COAT

<b>RACK SHELF, 30' DEEP DOUBLE, 3 RMS</b>		 <i>Premium Products</i> <i>Proven Performance</i> <i>Competitive Prices</i>	
ITEM NO.	ICCMSRDS30		REV. C
DWG NO.	PSCMSRDS30	PAGE NO.	2