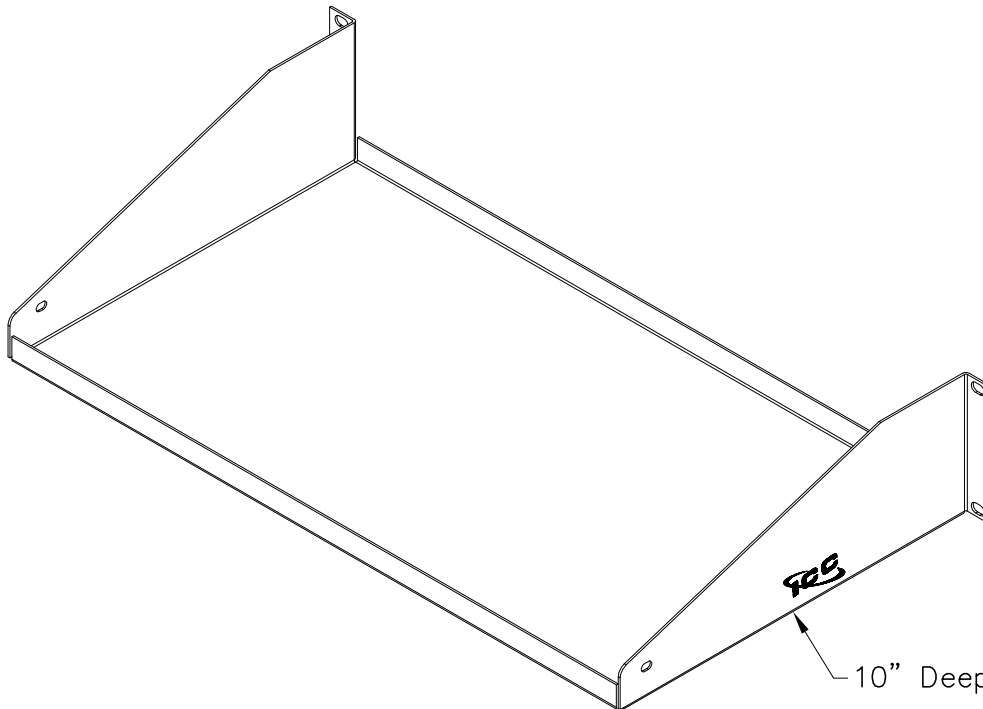


10" Deep Single Rack Shelf

PRODUCT SPECIFICATION

Package includes:

- A. 10" Deep Single Rack Shelf, 1 pc
- B. #12-24 x 5/8" Pan Head, Pilot Point Machine Screw, 4 pcs



10" Deep Single Rack Shelf

Features and Benefits:

- Designed with durable steel construction, black powder coated, accommodates bulky equipment and supports up to 75 lbs. load capacity
- Designed to fit all standard 19" racks and cabinets
- 2 rack mount space (RMS)
- Used with all ICCMS distribution and cable management racks

RACK SHELF, 10" DEEP SINGLE, 2 RMS

ITEM NO.	ICCMSRSF10
DWG NO.	PSCMSRSF10

REV.	B
PAGE NO.	1



Available from:

Available from:

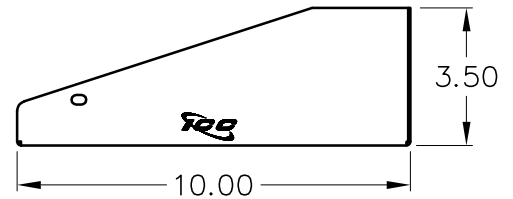
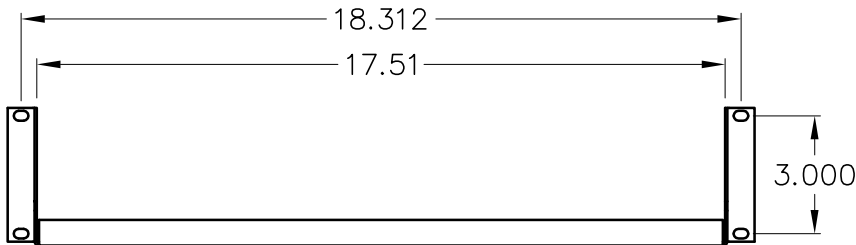
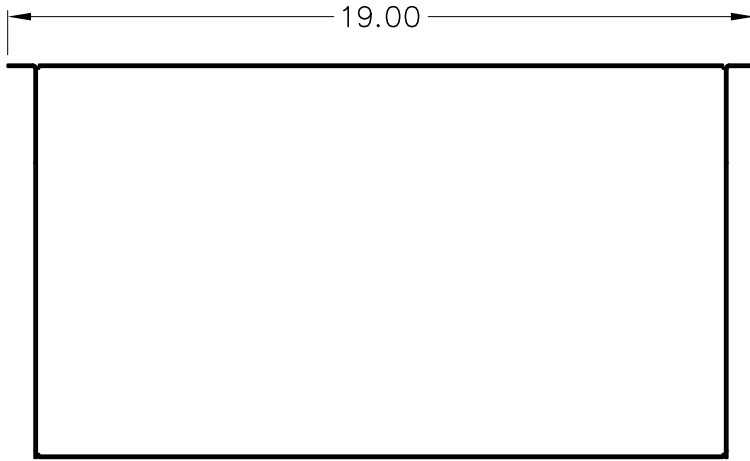
CablesPlus

U ★ S ★ A

Cables Plus, LLC

8504 Glazebrook Ave Richmond, VA 23228 – Toll Free (866) 678-5852

www.CablesPlusUSA.com



NOTE: UNLESS OTHERWISE SPECIFIED

- 1. MATERIAL: 16 GA CRS
- 2. SURFACE FINISH: BLACK POWDER COAT

RACK SHELF, 10' DEEP SINGLE, 2 RMS

ITEM NO. ICCMSRSF10
DWG NO. PSCMSRSF10

REV. B
PAGE NO. 2

ICC
Premium Products
Proven Performance
Competitive Prices

CablesPlus

U ★ S ★ A

<http://www.cablesplususa.com/>

866-678-5852