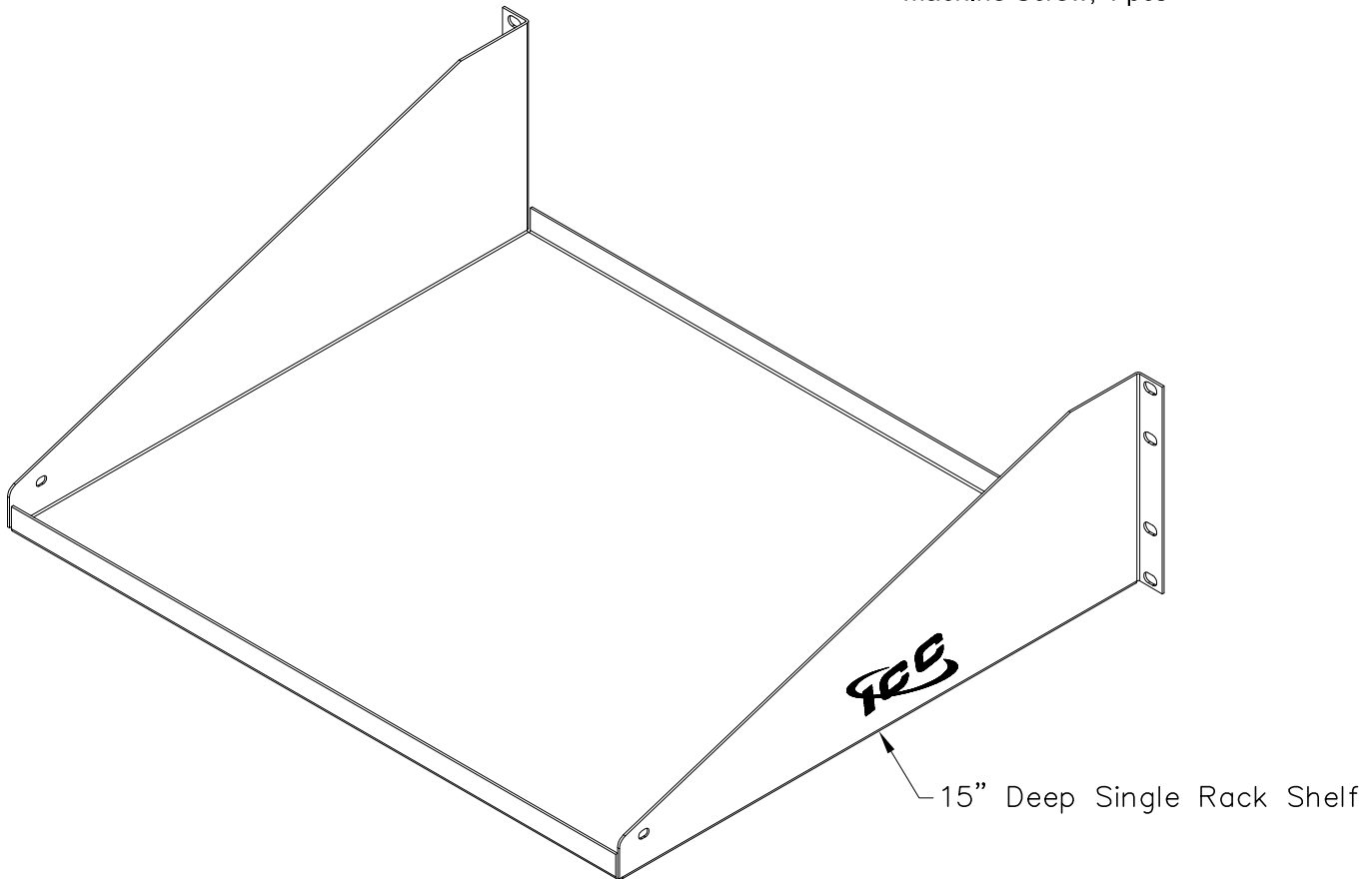


15" Deep Single Rack Shelf

PRODUCT SPECIFICATION


Package includes:

- A. 15" Deep Single Rack Shelf, 1 pc
- B. #12-24 x 5/8" Pan Head, Pilot Point Machine Screw, 4 pcs

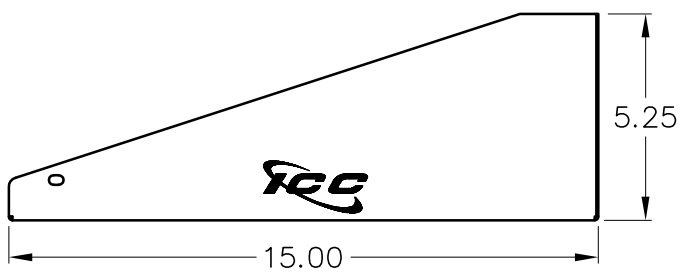
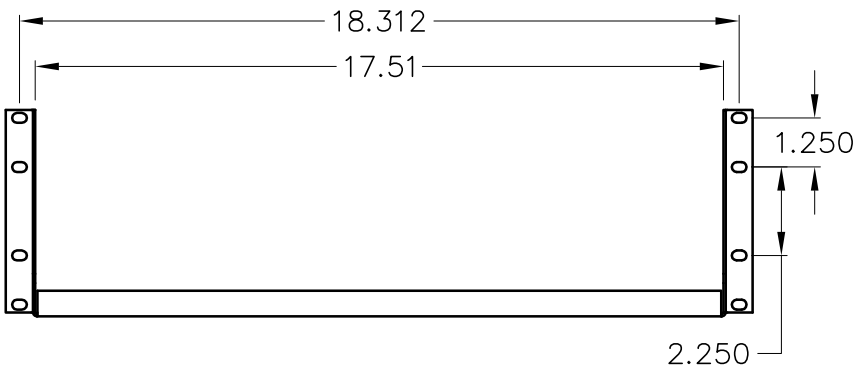
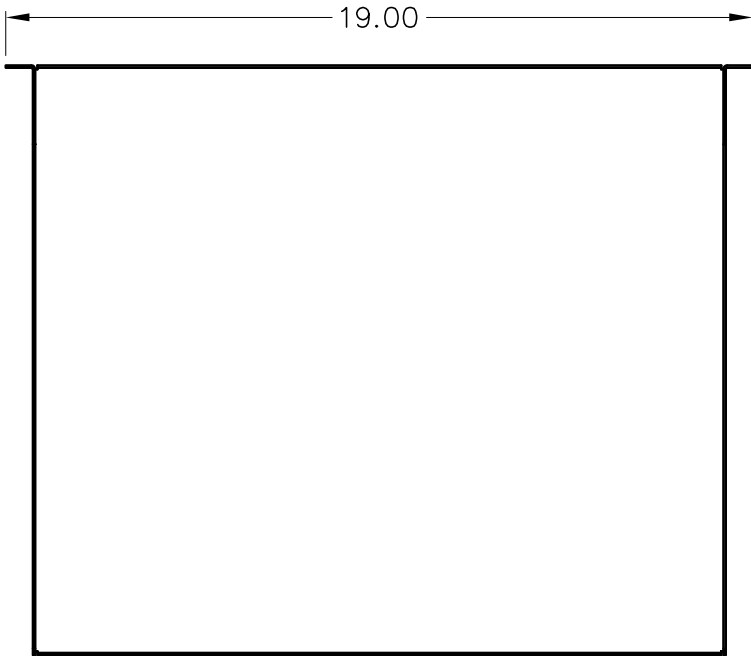


Features and Benefits:

- Designed with durable steel construction, black powder coated, accommodates bulky equipment with more depth capability and supports up to 75 lbs. load capacity
- Designed to fit all standard 19" racks and cabinets
- 3 rack mount space (RMS)
- Used with all ICCMS distribution and cable management racks


| | | | |
|---|------------|---|------------|
| RACK SHELF, 15" DEEP SINGLE, 3 RMS | |  Premium Products Proven Performance Competitive Prices | |
| ITEM NO. | ICCMSRSF15 | | REV. B |
| DWG NO. | PSCMSRSF15 | | PAGE NO. 1 |

Available from:



NOTE: UNLESS OTHERWISE SPECIFIED

- 1. MATERIAL: 16 GA CRS
- 2. SURFACE FINISH: BLACK POWDER COAT

| | | | |
|---|------------|--|------------|
| RACK SHELF, 15' DEEP SINGLE, 3 RMS | |  <i>Premium Products</i> <i>Proven Performance</i> <i>Competitive Prices</i> | |
| ITEM NO. | ICCMSRSF15 | | REV. B |
| DWG NO. | PSCMSRSF15 | | PAGE NO. 2 |