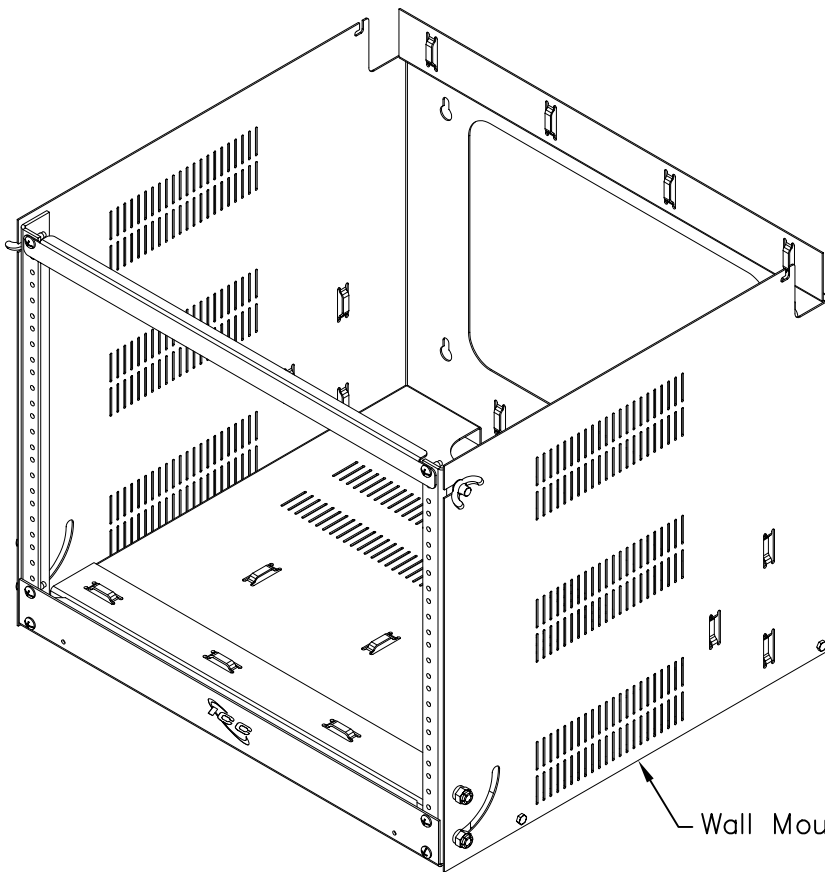


Wall Mount Vertical Hinged Bracket ☎ 866-678-5852

PRODUCT SPECIFICATION

Package includes:

- A. Main Body, 1 pc
- B. Base, 1 pc
- C. Gate Assembly, 1 pc
- D. #10-32 x 3/8" Thread Forming Screw, 4 pcs
- E. 5/16-18 UNC Wing Nut, 2 pcs
- F. 5/16-18 UNC Nylok Hex Nut, 4 pcs
- G. Nylon Washer, 4 pcs
- H. #12-24 x 5/8" Pan Head, Pilot Point Machine Screw, 31 pcs



Wall Mount Vertical Hinged Bracket

Features and Benefits:

- Designed with black textured powder coated, durable steel construction
- Ideal for installing voice and data equipment such as patch panels, active components, and cable management products creating a neat structured and organized cabling system
- Allows easy access during and after the installation and is ideal for installations with space limitations prohibiting the use of floor mount racks
- Available in 6 rack mount space (RMS) to support 40 pounds of equipment and 8 rack mount space (RMS) to support 60 pounds of equipment
- 8 rack mount space (RMS) version is available in 12" and 18" depths
- Used with ICC rack mount products

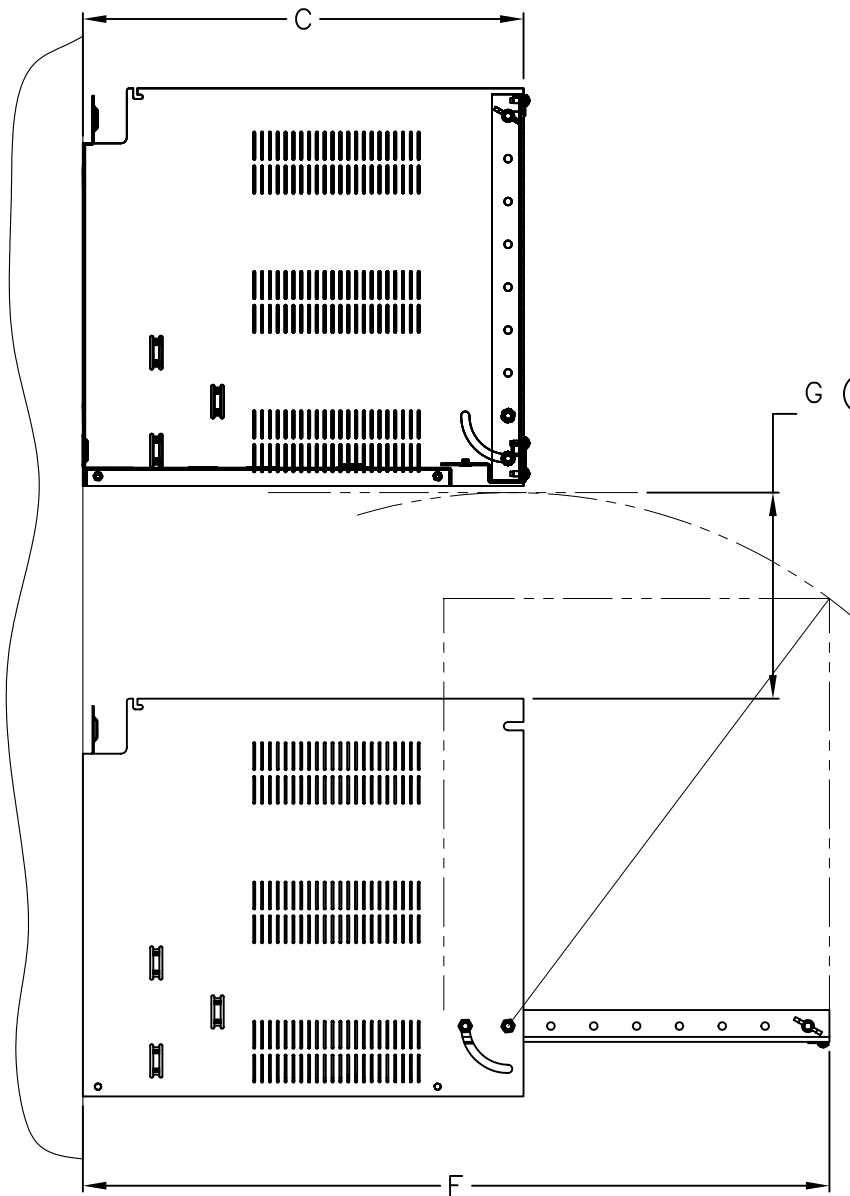
BRACKET, WALL MOUNT VERTICAL HINGED

ITEM NO.	ICCMSVHBXX
DWG NO.	PSCMSVHB00

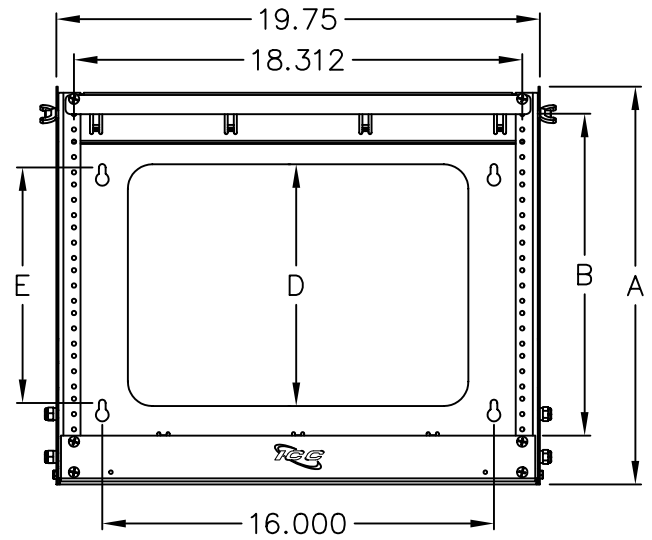
REV.	B
PAGE NO.	1



Available from:



G (MINIMUM RECOMMENDED CLEARANCE BETWEEN BRACKETS WITH MAXIMUM EQUIPMENT DEPTH)



NOTE: UNLESS OTHERWISE SPECIFIED


1. MATERIAL:

- A. MAIN BODY: 16 GA CRS
- B. BASE: 16 GA CRS
- C. GATE ASSEMBLY:
 - TOP SUPPORT: 16 GA CRS
 - BOTTOM SUPPORT: 14 GA CRS
 - SIDE RAILS: 11 GA CRS

2. SURFACE FINISH: BLACK TEXTURED POWDER COAT

ITEM NO.	A	B	C	D	E	F	G	SHIPPING WEIGHT	WEIGHT CAPACITY
ICCMSVHB06	12.75"	9.63"	12.00"	6.38"	6.13"	21.00"	5.00"	19 LBS	40 LBS
ICCMSVHB08	16.25"	13.13"	12.00"	9.88"	9.63"	24.50"	4.00"	21 LBS	60 LBS
ICCMSVHB18	16.25"	13.13"	18.00"	9.88"	9.63"	30.50"	8.35"	27 LBS	60 LBS

BRACKET, WALL MOUNT VERTICAL HINGED			
ITEM NO.	ICCMSVHBXX	REV.	B
DWG NO.	PSCMSVHB00	PAGE NO.	2



Premium Products
Proven Performance
Competitive Prices