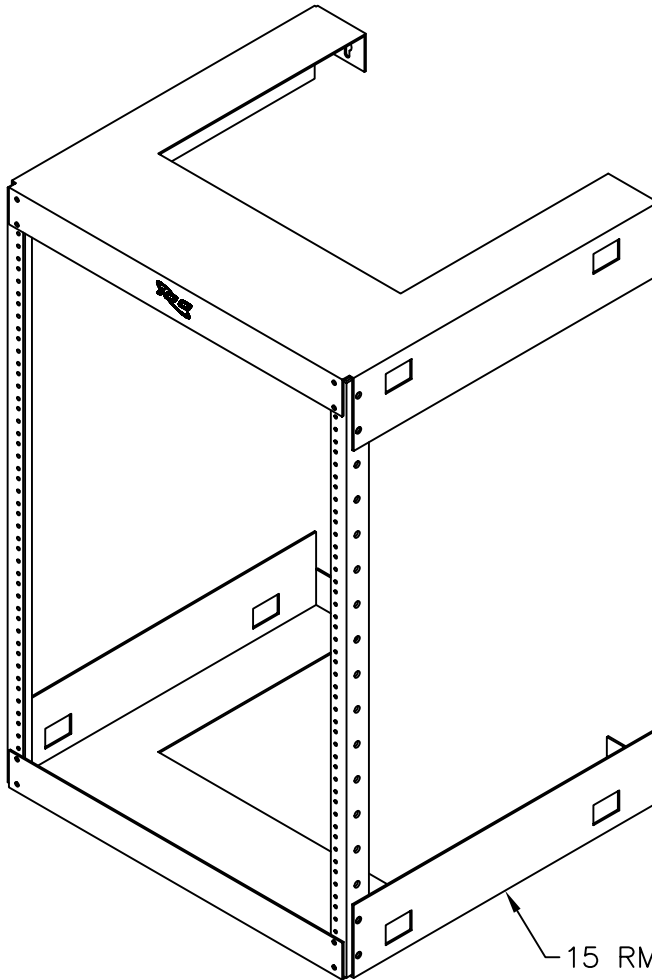


Wall Mount Rack, 15 RMS

PRODUCT SPECIFICATION




15 RMS Wall Mount Rack

Package includes:

- A. Top Support, 1 pc
- B. Bottom Support, 1 pc
- C. Side Rail, 2 pcs
- D. 5/16-18 UNC Serrated Flange Hex Nut, 8 pcs
- E. #12-24 x 5/8" Pan Head, Pilot Point Machine Screw, 25 pcs
- F. Assembly Instructions, 1 sheet

Features and Benefits:

- Designed with durable steel construction, black textured powder coated, supports up to 125 pounds of equipment
- Designed with an 18" depth making it ideal for installing voice and data equipment such as patch panels, active components, shelves, drawers, and cable management products creating a neat structured and organized cabling system
- Ideal for medium data and telecom installations where space limitations prohibit the use of floor mount racks
- 15 rack mount space (RMS)
- Used with all ICC rack mount products
- Assembly instructions #MPR-0400 included

RACK, WALL MOUNT, 18" DEEP, 15 RMS		 <i>PremiumProducts</i> <i>ProvenPerformance</i> <i>CompetitivePrices</i>			
ITEM NO.	ICCMSWMR15			REV.	B
DWG NO.	PSCMSWMR15			PAGE NO.	1

Available from:

Available from:

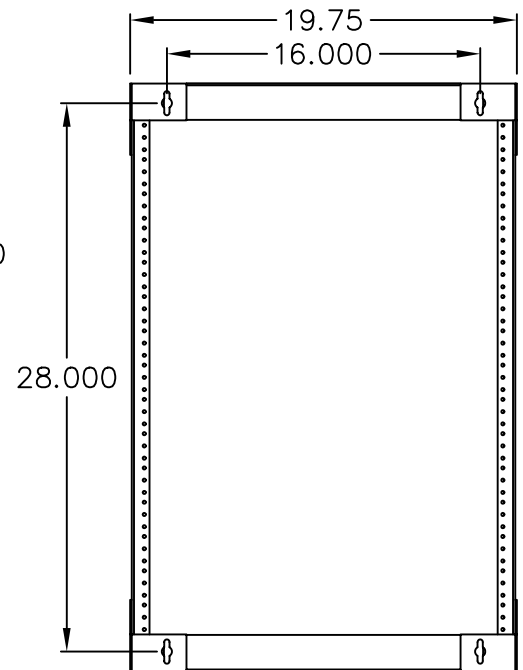
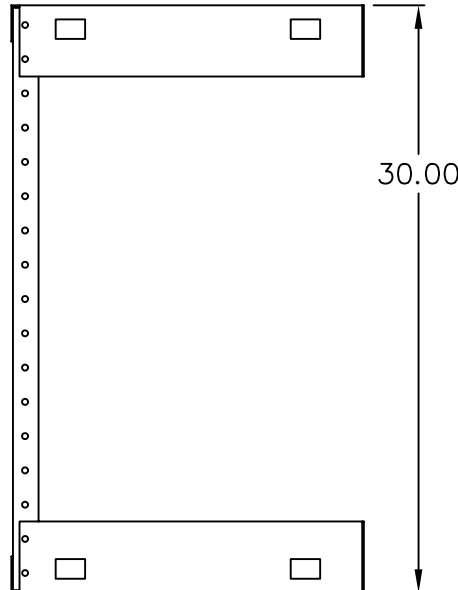
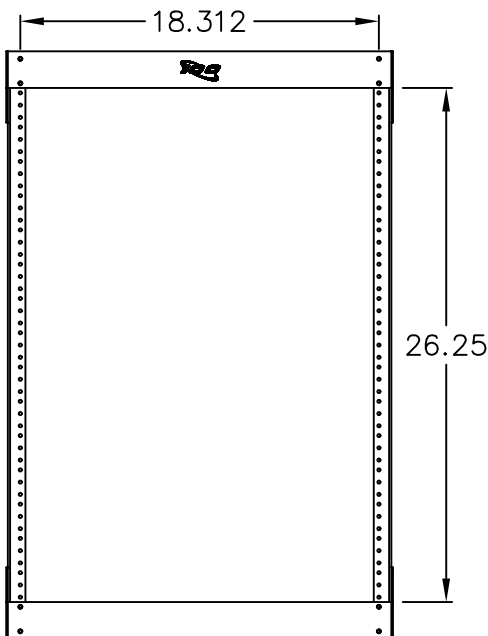
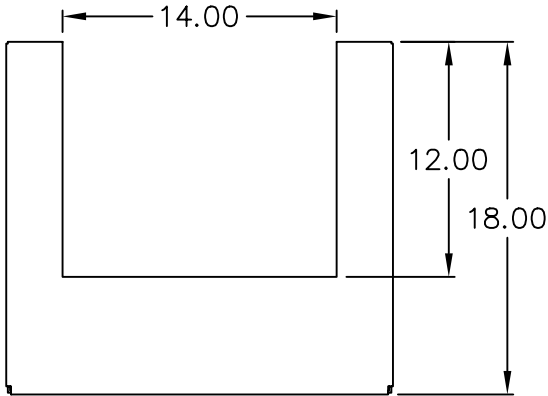
CablesPlus

U ★ S ★ A

Cables Plus, LLC

8504 Glazebrook Ave Richmond, VA 23228 ~ Toll Free (866) 678-5852

www.CablesPlusUSA.com



NOTE: UNLESS OTHERWISE SPECIFIED

1. MATERIAL:

A. TOP & BOTTOM SUPPORT: 14 GA CRS

B. SIDE RAILS: 11 GA CRS

2. SURFACE FINISH: BLACK TEXTURED POWDER COAT

RACK, WALL MOUNT, 18" DEEP, 15 RMS

ITEM NO. ICCMSWMR15

REV. B

DWG NO. PSCMSWMR15

PAGE NO. 2



PremiumProducts

ProvenPerformance

CompetitivePrices

CablesPlus

U ★ S ★ A

<http://www.cablesplususa.com/>

866-678-5852